

GOK, GOK-N + WX-T Roofing fixing system

Pre-assembled telescopic fastening system for trapezoid sheet substrate, max thickness of 2x1.25mm



Approvals and Reports

- ETA-09/0346
- UKTA-22/6338



Product information

Features and benefits

- Impact-resistant material used ensures constant mechanical properties over the lifetime of a roof. Also, retains its properties over a wide temperature range.
- The lenticular shape of the plate ensures a firm pressure on the membrane and no possibility of dragging and deforming the plate during assembly
- The cone's optimal shape facilitates speed and ease of installation through the thermal insulation.
- Internal sleeve design allows pre-assembly with any Rawlplug roofing screw, shortening installation.
- Hardened screw's thread surface. High quality anti-corrosion coating guarantees resistance of 15 Kesternich cycles.
- The shape and type of screw's thread is designed specifically for connecting to metal sheets. The drill point is designed to provide a fast and hassle-free installation. Sharp point of the drill prevents movement of the surface of the fixture.

Applications

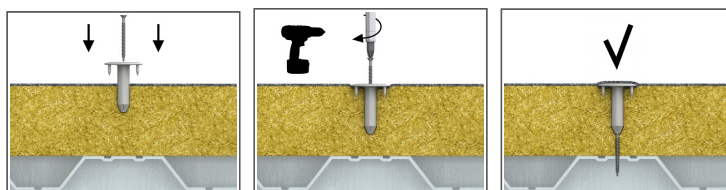
- Insulation layers to flat roofs to substrate: steel

Base materials

Approved for use in:

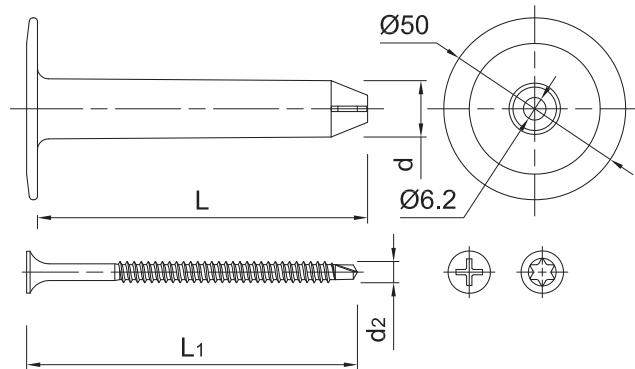
- Metal Sheet & Profiles

Installation guide



1. Select a suitable screw type for substrate
2. Lightly insert plastic sleeve into insulation material
3. Using drilling machine, drive the screw into substrate until fixing depth is reached

Product information



Product Code	Diameter	Length	Diameter	Length
	d	L	d2	L1
	[mm]	[mm]	[mm]	-
R-GOK105WX48T050	15.5	105	4.8	50
R-GOK105WX48T060	15.5	105	4.8	60
R-GOK105WX48T070	15.5	105	4.8	70
R-GOK105WX48T080	15.5	105	4.8	80
R-GOK185WX48T100	15.5	185	4.8	100

Product Code	Plastic sleeve			Fixture		
	Diameter	Length	Plate diameter	Min. thickness	Max. thickness	
	d	L	D	t _{fix}	t _{fix}	
	[mm]	[mm]	[mm]	[mm]	[mm]	
R-GOK-015	15.5	15	50	30	280	
R-GOK-035	15.5	35	50	50	300	
R-GOK-065	15.5	65	50	80	330	
R-GOK-075	15.5	75	50	90	340	
R-GOK-085	15.5	85	50	100	350	
R-GOK-095	15.5	95	50	110	360	
R-GOK-105	15.5	105	50	120	370	
R-GOK-125	15.5	125	50	140	390	
R-GOK-135	15.5	135	50	150	400	
R-GOK-165	15.5	165	50	180	430	
R-GOK-185	15.5	185	50	200	450	
R-GOK-225	15.5	225	50	240	490	
R-GOK-255	15.5	255	50	270	520	
R-GOK-285	15.5	285	50	300	550	
R-GOK-325	15.5	325	50	340	590	
R-GOK-385	15.5	385	50	400	650	
R-GOK-425	15.5	425	50	440	690	
	R-GOK-525-N	15.5	525	50	540	790
	R-GOK-625-N	15.5	625	50	640	890
	R-GOK-725-N	15.5	725	50	740	990

Product information

Product Code	Screw	
	Diameter	Length
	d	L
	[mm]	[mm]
R-WX-48T050	4.8	50
R-WX-48T060	4.8	60
R-WX-48T070	4.8	70
R-WX-48T080	4.8	80
R-WX-48T100	4.8	100
R-WX-48T120	4.8	120
R-WX-48T140	4.8	140
R-WX-48T160	4.8	160
R-WX-48T180	4.8	180
R-WX-48T200	4.8	200
R-WX-48T240	4.8	240
R-WX-48T300	4.8	300

Installation data

Substrate			Steel
Hole diameter in substrate	d_o	[mm]	-
Min. hole depth in substrate	h_o	[mm]	-
Min. installation depth	h_{nom}	[mm]	-
Min. substrate thickness	h_{min}	[mm]	0.63
Min. spacing	s_{min}	[mm]	120
Min. edge distance	c_{min}	[mm]	30
Screw diameter	d	[mm]	4.8

Basic performance data

Size		Steel
Effective embedment depth h_{ef}	[mm]	0.75
MEAN ULTIMATE LOAD		
GOK + WX	[kN]	1.42
CHARACTERISTIC LOAD		
GOK + WX	[kN]	1.01
DESIGN LOAD		
GOK + WX	[kN]	0.50
RECOMMENDED LOAD		
GOK + WX	[kN]	0.36

Design performance data

PULL OUT - SCREW FROM SUBSTRATE

Size			Steel		
Effective embedment depth	h_{ef}	[mm]	0.75	1	1.25
TENSION LOAD					
PULL-OUT FAILURE					
Characteristic resistance	$N_{Rk,p}$	[kN]	1.01	1.53	1.66
Design resistance	$N_{Rd,p}$	[kN]	0.50	0.76	0.83

PULL OUT - GOK SLEEVE

Characteristic resistance	$N_{Rk,p}$	[kN]	2.45
Design resistance	$N_{Rd,p}$	-	1.23

Product commercial data

Size	Product Code	Diameter [mm]	Length [mm]	Length [m]	Plastic sleeve		Screw	Quantity [pcs]			Weight [kg]			Bar Codes	
					Diameter [mm]	Length [mm]		Box	Outer	Pallet	Box	Outer	Pallet		
Ø4.8	R-GOK105WX48T050 ¹⁾	15.5	105	50				250	250	10000	5.0	5.0	229.5	5906675431475	
	R-GOK105WX48T060 ¹⁾	15.5	105	60				250	250	10000	5.1	5.1	235.1	5906675421599	
	R-GOK105WX48T070 ¹⁾	15.5	105	70				250	250	10000	5.5	5.5	248.4	5906675490366	
	R-GOK105WX48T080 ¹⁾	15.5	105	80				250	250	10000	5.6	5.6	254.0	5906675422183	
	R-GOK135WX48T060 ¹⁾	15.5	135	60				200	200	8000	4.5	4.5	211.0	5906675490373	
	R-GOK135WX48T070 ¹⁾	15.5	135	70				200	200	8000	4.8	4.8	219.9	5906675419985	
	R-GOK165WX48T070 ¹⁾	15.5	165	70				150	150	7200	4.1	4.1	227.1	5906675425986	
	R-GOK165WX48T080 ¹⁾	15.5	165	80				150	150	6000	4.0	4.0	189.0	5906675494142	
	R-GOK185WX48T050 ¹⁾	15.5	185	50				100	100	4800	2.9	2.9	167.3	5906675425177	
	R-GOK185WX48T060 ¹⁾	15.5	185	60				100	100	4000	3.0	3.0	147.9	5906675455204	
	R-GOK185WX48T070 ¹⁾	15.5	185	70				100	100	4000	3.0	3.0	151.4	5906675425962	
	R-GOK185WX48T080 ¹⁾	15.5	185	80				100	100	4000	3.4	3.4	167.3	5906675423197	
	R-GOK185WX48T100 ¹⁾	15.5	185	100				100	100	4000	3.8	3.8	183.6	5906675496801	
	R-GOK225WX48T050 ¹⁾	15.5	225	50				100	100	4000	3.2	3.2	156.3	5906675423067	
	R-GOK-015					15.5	15		1100	1100	61600	6.6	6.6	400.8	5906675101033
	R-GOK-035					15.5	35		600	600	33600	5.0	5.0	307.0	5906675101057
	R-GOK-065					15.5	65		400	400	22400	4.3	4.3	268.1	5906675101170
	R-GOK-075					15.5	75		300	300	16800	3.8	3.8	241.7	5906675106663
	R-GOK-085					15.5	85		300	300	16800	3.8	3.8	244.2	5906675106687
	R-GOK-095					15.5	95		250	250	14000	3.8	3.8	240.6	5906675106717
	R-GOK-105					15.5	105		250	250	14000	3.7	3.7	236.1	5906675106748
	R-GOK-125					15.5	125		200	200	11200	3.5	3.5	224.8	5906675106779
	R-GOK-135					15.5	135		200	200	11200	3.5	3.5	224.1	5906675106830
	R-GOK-165					15.5	165		150	150	8400	3.1	3.1	201.5	5906675106861
	R-GOK-185					15.5	185		100	100	5600	2.3	2.3	158.9	5906675106885
	R-GOK-225					15.5	225		100	100	5600	2.6	2.6	176.4	5906675107103
	R-GOK-255					15.5	255		75	75	4200	2.3	2.3	158.1	5906675112855
	R-GOK-285					15.5	285		75	75	4200	2.5	2.5	168.9	5906675107295
	R-GOK-325					15.5	325		50	50	2800	2.0	2.0	139.2	5906675108056
	R-GOK-385					15.5	385		50	50	2000	2.3	2.3	119.9	5906675108117
	R-GOK-425					15.5	425		50	50	1600	2.4	2.4	106.4	5906675108629
	R-GOK-525-N					15.5	525		50	50	600	4.2	4.2	80.0	5906675113883
R-GOK-625-N					15.5	625		50	50	600	4.7	4.7	86.2	5906675113890	
R-GOK-725-N					15.5	725		50	50	600	5.2	5.2	92.4	5906675113906	
R-WX-48T050							50	250	3000	72000	1.17	14.1	367.8	5906675104157	
R-WX-48T060							60	250	3000	72000	1.39	16.6	429.5	5906675104164	
R-WX-48T070							70	250	3000	72000	1.61	19.3	492.2	5906675104171	
R-WX-48T080							80	250	3000	72000	1.86	22.3	564.8	5906675104188	
R-WX-48T100							100	200	2400	57600	1.86	22.4	566.8	5906675104201	
R-WX-48T120							120	200	2400	57600	2.2	26.9	675.4	5906675104232	
R-WX-48T140							140	200	2400	57600	2.6	31.3	780.2	5906675104256	
R-WX-48T160							160	100	1200	28800	1.51	18.1	463.7	5906675104263	
R-WX-48T180							180	100	100	16800	1.75	1.75	324.7	5906675104270	
R-WX-48T200							200	100	100	16800	1.93	1.93	353.6	5906675104287	
R-WX-48T240							240	100	100	16800	2.3	2.3	408.8	5906675104300	

Product commercial data

Size	Product Code	Diameter [mm]	Length [mm]	Length [m]	Plastic sleeve		Screw	Quantity [pcs]			Weight [kg]			Bar Codes
					Diameter [mm]	Length [mm]		Box	Outer	Pallet	Box	Outer	Pallet	
Ø4.8	R-WX-48T300						300	100	100	16800	2.8	2.8	498.0	5906675104317

1) ETA-09/0346