

USZ-TAS Self-adhesive polyurethane sealing insulation tapes

Self-adhesive tape made of flexible polyurethane foam



Product information

Features and benefits

- Good adhesion to the substrate.
- Resistant to different weather conditions and UV radiation

Applications

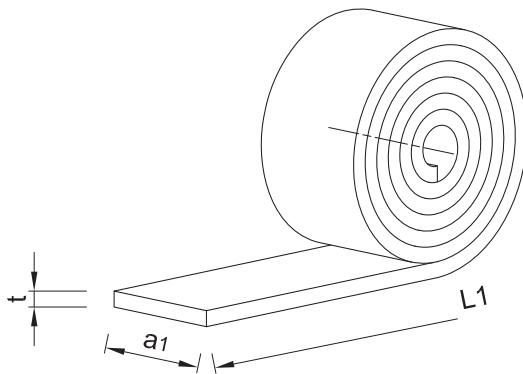
- Sealing and isolation of connections steel structures, profiled sheets, coffers and sandwich panels

Base materials

Approved for use in:

- Structural Steel
- Metal Sheet & Profiles

Product information



Product Code	Width	Thickness	Length
	a1	t	L1
	[mm]		[m]
USZ-TAS-10/2	10	2	240
USZ-TAS-10/3	10	2	200
USZ-TAS-10/4	10	4	160
USZ-TAS-100/4	100	4	0
USZ-TAS-20/3	20	3	180
USZ-TAS-20/5	20	5	120
USZ-TAS-30/2	30	2	160
USZ-TAS-30/3	30	3	120
USZ-TAS-30/5	30	5	80
USZ-TAS-40/2	40	2	0
USZ-TAS-40/3	40	3	90
USZ-TAS-40/4	40	4	40
USZ-TAS-50/3	50	3	60
USZ-TAS-50/5	50	5	0
USZ-TAS-50/6	50	6	30

Product commercial data

Product Code	Thickness [mm]	Length [m]	Quantity [pcs]			Weight [kg]			Bar Codes
			Box	Outer	Pallet	Box	Outer	Pallet	
USZ-TAS-10/2	2	240	1200	1200	14400	2.8	2.8	63.1	5906675100463
USZ-TAS-10/3	2	200	1000	1000	12000	3.1	3.1	67.2	5906675550220
USZ-TAS-10/4	4	160	800	800	9600	2.6	2.6	60.7	5906675100616
USZ-TAS-100/4	4	0	80	80	960	2.6	2.6	61.7	5906675000015
USZ-TAS-20/3	3	180	540	540	6480	2.9	2.9	64.3	5906675550022
USZ-TAS-20/5	5	120	360	360	4320	2.5	2.5	59.8	5906675100647
USZ-TAS-30/2	2	160	480	480	5760	3.1	3.1	66.9	5906675100500
USZ-TAS-30/3	3	120	360	360	4320	2.7	2.7	62.0	5906675100609
USZ-TAS-30/5	5	80	240	240	2880	2.3	2.3	57.6	5906675100661
USZ-TAS-40/2	2	0	400	400	4800	3.2	3.2	68.4	5906675100517
USZ-TAS-40/3	3	90	270	270	3240	3.0	3.0	65.6	5906675550121
USZ-TAS-40/4	4	40	200	200	2400	2.5	2.5	59.8	5906675112121
USZ-TAS-50/3	3	60	240	240	2880	3.3	3.3	69.2	5906675550015
USZ-TAS-50/5	5	0	160	160	1920	2.7	2.7	62.6	5906675100708
USZ-TAS-50/6	6	30	120	120	1440	2.3	2.3	57.4	5906675138695