

## T-KARD Snap hooks with screw lock

Screw locking spring action gate snap hook for quick ropes and chains attachments



### Product information

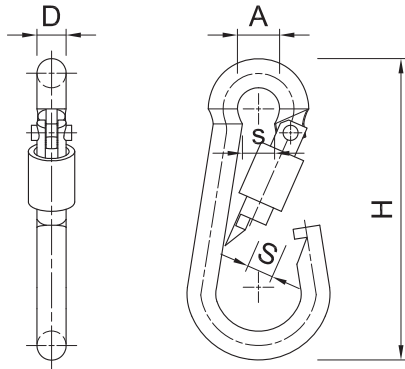
#### Features and benefits

- Manufactured in accordance with DIN 5299D
- Round shape of the eyelet gives ideal rope guidance and greater prevention of accidental rope damage
- Reversible spring action gate with screw lock for increasing the safety of the hook and preventing the load from returning
- Made of low carbon steel
- Zinc electroplated for enhanced corrosion resistance
- Spring loaded gate allows to be quickly and securely attached to a wide range of fixing points

#### Applications

- Applicable for general purposes
- Connecting of chains and ropes
- Chain repair and chain attachments
- Raising of middleweight elements
- Setting up anchors and fixing grips

**Product information**



Product Code	Dimensions				
	A	D	H	S	s
	[mm]	[mm]	[mm]	[mm]	[mm]
T-KARD-04	6	4	40	6	4
T-KARD-05	8	5	50	7	5
T-KARD-06	9	6	60	8	5
T-KARD-07	10	7	70	8	7
T-KARD-08	12	8	80	10	9
T-KARD-09	12	9	90	10	10
T-KARD-10	15	10	100	13	11

**Basic performance data**

Product Code	Load resistance	
	Maximum	
	[kg]	
T-KARD-04	80.00	
T-KARD-05	100.00	
T-KARD-06	120.00	
T-KARD-07	180.00	
T-KARD-08	230.00	
T-KARD-09	250.00	
T-KARD-10	350.00	

**Product commercial data**

Product Code	Dimensions					Quantity [pcs]			Weight [kg]			Bar Codes
	A [mm]	D [mm]	H [mm]	S [mm]	s [mm]	Box	Outer	Pallet	Box	Outer	Pallet	
T-KARD-04	6	4	40	6	4	100	2400	48000	0.97	23.3	495.6	5906675966878
T-KARD-05	8	5	50	7	5	50	1200	24000	0.85	20.4	438.0	5906675966977
T-KARD-06	9	6	60	8	5	50	900	18000	1.46	26.2	553.8	5906675967073
T-KARD-07	10	7	70	8	7	25	450	9000	1.13	20.3	435.9	5906675967172
T-KARD-08	12	8	80	10	9	25	450	8100	1.62	29.2	554.9	5906675967271
T-KARD-09	12	9	90	10	10	25	450	5400	2.4	42.4	538.7	5906675967370
T-KARD-10	15	10	100	13	11	15	270	3240	1.90	34.2	440.5	5906675967479