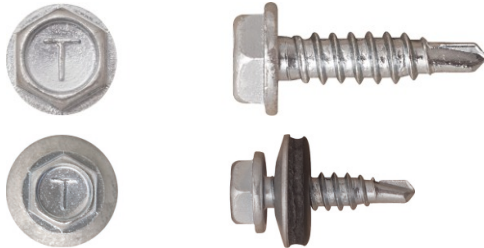


OCW Self-drilling screws

Reduced drilling point guarantees optimum tightness of the fastening



Approvals and Reports

- ETA-13/0203
- UKTA-22/6370



According to colorsystems:

RAL

Product information

Features and benefits

- Coloured polyester protective coating with a thickness of 45-50 µm (RAL, NCS, RR), provides additional protection against corrosion. Various colours available to suit all metal sheet variants. UV stabilizers ensure colour quality over a long period of use.
- Hardened surface of the thread (flexible core). Corrosion resistant zinc coating has a thickness of no less than 12µm.
- The full length thread design prevents twisting and allows application without a washer. Furthermore the specific shape and type of thread allow metal sheets to be connected together.
- Self vulcanizing EPDM washer. Temperature and UV resistant. The special shape of the washer ensures proper seating of the sealing material on the outer cladding material fixture which guarantees a proper seal.

Applications

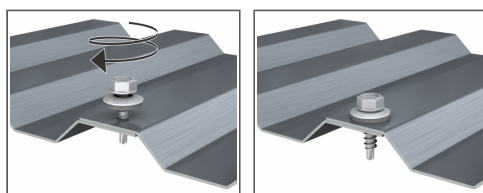
- For fixing of: Overlapping sheet connection

Base materials

Approved for use in:

- Structural Steel
- Metal Sheet & Profiles

Installation guide



1. Screw must be installed at 90 degrees to substrate.
2. Magnetic driver must be used.
3. Lowest torque setting on impact screwdriver to start.
4. Reduce speed when the washer starts to deform.
5. Use a cordless Impact screwdriver. Note: Never use a power drill.
6. For installation please use screwdriver of load capacity 1600 - 2000 rpm with regulated trogue.

Product information

Size	Product Code	Screw			Fixture		Max. drilling thickness	Washer size	RAL Colour
		Diameter	Length	Head size	Max. thickness with washer	Max. thickness without washer			
		d	l	S	t _{fix}				
		[mm]							
Ø4.8	OCW-48016	4.8	16	8	4	7	2.5	14	-
	OCW-48019	4.8	19	8	7	10	2.5	14	-
	OCW-48019T	4.8	19	8	7	10	2.5	14	-
	OD-48035A	4.8	35	8	7	10	2.5	14	-
	OCW-48016T	4.8	16	8	4	7	2.5	14	-
	OCWK-48019T	4.8	19	8	7	10	2.5	14	-
	OCW-48019T3005	4.8	19	8	7	10	2.5	14	3005
	OCW-48019T3009	4.8	19	8	7	10	2.5	14	3009
	OCW-48019T3011	4.8	19	8	7	10	2.5	14	3011
	OCW-48019T5010	4.8	19	8	7	10	2.5	14	5010
	OCW-48019T6020	4.8	19	8	7	10	2.5	14	6020
	OCW-48019T7016	4.8	19	8	7	10	2.5	14	7016
	OCW-48019T7024	4.8	19	8	7	10	2.5	14	7024
	OCW-48019T8004	4.8	19	8	7	10	2.5	14	8004
	OCW-48019T8017	4.8	19	8	7	10	2.5	14	8017
	OCW-48019T8019	4.8	19	8	7	10	2.5	14	8019
	OCW-48019T9002	4.8	19	8	7	10	2.5	14	9002
	OCW-48019T9005	4.8	19	8	7	10	2.5	14	9005
	OCW-48019T9006	4.8	19	8	7	10	2.5	14	9006
	OCW-48019T9010	4.8	19	8	7	10	2.5	14	9010
	OCWK-48019T3009	4.8	19	8	7	10	2.5	14	3009
	OCWK-48019T6020	4.8	19	8	7	10	2.5	14	6020
	OCWK-48019T7024	4.8	19	8	7	10	2.5	14	7024
	OCWK-48019T8004	4.8	19	8	7	10	2.5	14	8004
	OCWK-48019T8017	4.8	19	8	7	10	2.5	14	8017
	OCWK-48019T9005	4.8	19	8	7	10	2.5	14	9005
	OCW-48016T1002	4.8	16	8	4	7	2.5	14	1002
	OCW-48016T1015	4.8	16	8	4	7	2.5	14	1015
	OCW-48016T2008	4.8	16	8	4	7	2.5	14	2008
	OCW-48016T3000	4.8	16	8	4	7	2.5	14	3000
	OCW-48016T3005	4.8	16	8	4	7	2.5	14	3005
	OCW-48016T3009	4.8	16	8	4	7	2.5	14	3009
	OCW-48016T3011	4.8	16	8	4	7	2.5	14	3011
	OCW-48016T3016	4.8	16	8	4	7	2.5	14	3016
	OCW-48016T3020	4.8	16	8	4	7	2.5	14	3020
	OCW-48016T5000	4.8	16	8	4	7	2.5	14	5000
	OCW-48016T5002	4.8	16	8	4	7	2.5	14	5002
	OCW-48016T5010	4.8	16	8	4	7	2.5	14	5010
	OCW-48016T6005	4.8	16	8	4	7	2.5	14	6005
	OCW-48016T6010	4.8	16	8	4	7	2.5	14	6010
OCW-48016T6011	4.8	16	8	4	7	2.5	14	6011	
OCW-48016T6018	4.8	16	8	4	7	2.5	14	6018	
OCW-48016T6020	4.8	16	8	4	7	2.5	14	6020	
OCW-48016T6029	4.8	16	8	4	7	2.5	14	6029	
OCW-48016T7000	4.8	16	8	4	7	2.5	14	7000	
OCW-48016T7004	4.8	16	8	4	7	2.5	14	7004	
OCW-48016T7005	4.8	16	8	4	7	2.5	14	7005	
OCW-48016T7016	4.8	16	8	4	7	2.5	14	7016	
OCW-48016T7024	4.8	16	8	4	7	2.5	14	7024	
OCW-48016T7032	4.8	16	8	4	7	2.5	14	7032	

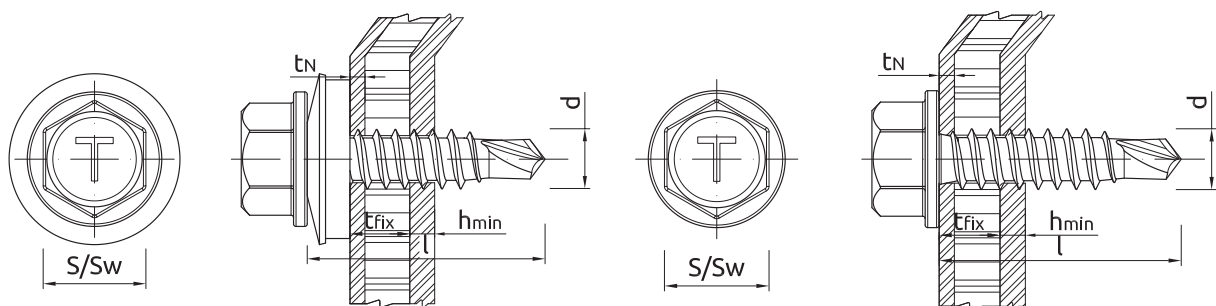
Product information

Size	Product Code	Screw			Fixture		Max. drilling thickness	Washer size	RAL Colour
		Diameter	Length	Head size	Max. thickness with washer	Max. thickness without washer			
		d	l	S	t _{fix}				
		[mm]							
Ø4.8	OCW-48016T7035	4.8	16	8	4	7	2.5	14	7035
	OCW-48016T7037	4.8	16	8	4	7	2.5	14	7037
	OCW-48016T8004	4.8	16	8	4	7	2.5	14	8004
	OCW-48016T8016	4.8	16	8	4	7	2.5	14	8016
	OCW-48016T8017	4.8	16	8	4	7	2.5	14	8017
	OCW-48016T8019	4.8	16	8	4	7	2.5	14	8019
	OCW-48016T9002	4.8	16	8	4	7	2.5	14	9002
	OCW-48016T9005	4.8	16	8	4	7	2.5	14	9005
	OCW-48016T9006	4.8	16	8	4	7	2.5	14	9006
	OCW-48016T9007	4.8	16	8	4	7	2.5	14	9007
	OCW-48016T9010	4.8	16	8	4	7	2.5	14	9010
	OCW-48019A8004	4.8	19	8	7	10	2.5	14	8004
	OCW-48019A9010	4.8	19	8	7	10	2.5	14	9010
	OCW-48019A9011	4.8	19	8	7	10	2.5	14	9011
	OCW-48019T1001	4.8	19	8	7	10	2.5	14	5008
	OCW-48019T1002	4.8	19	8	7	10	2.5	14	1002
	OCW-48019T1003	4.8	19	8	7	10	2.5	14	1001
	OCW-48019T1013	4.8	19	8	7	10	2.5	14	1013
	OCW-48019T1014	4.8	19	8	7	10	2.5	14	1014
	OCW-48019T1015	4.8	19	8	7	10	2.5	14	1015
	OCW-48019T1017	4.8	19	8	7	10	2.5	14	1017
	OCW-48019T1018	4.8	19	8	7	10	2.5	14	1018
	OCW-48019T1021	4.8	19	8	7	10	2.5	14	1021
	OCW-48019T1023	4.8	19	8	7	10	2.5	14	1023
	OCW-48019T2008	4.8	19	8	7	10	2.5	14	2008
	OCW-48019T3000	4.8	19	8	7	10	2.5	14	3000
	OCW-48019T3002	4.8	19	8	7	10	2.5	14	3002
	OCW-48019T3003	4.8	19	8	7	10	2.5	14	3003
	OCW-48019T3013	4.8	19	8	7	10	2.5	14	3013
	OCW-48019T3016	4.8	19	8	7	10	2.5	14	3016
	OCW-48019T3020	4.8	19	8	7	10	2.5	14	3020
	OCW-48019T5002	4.8	19	8	7	10	2.5	14	5002
	OCW-48019T5003	4.8	19	8	7	10	2.5	14	5003
	OCW-48019T5005	4.8	19	8	7	10	2.5	14	5005
	OCW-48019T5011	4.8	19	8	7	10	2.5	14	5011
	OCW-48019T5012	4.8	19	8	7	10	2.5	14	5012
	OCW-48019T5014	4.8	19	8	7	10	2.5	14	5014
	OCW-48019T5015	4.8	19	8	7	10	2.5	14	5015
	OCW-48019T5017	4.8	19	8	7	10	2.5	14	5017
	OCW-48019T6002	4.8	19	8	7	10	2.5	14	6002
OCW-48019T6003	4.8	19	8	7	10	2.5	14	6003	
OCW-48019T6004	4.8	19	8	7	10	2.5	14	6004	
OCW-48019T5008	4.8	19	8	7	10	2.5	14	5008	
OCW-48019T6005	4.8	19	8	7	10	2.5	14	6005	
OCW-48019T6007	4.8	19	8	7	10	2.5	14	6007	
OCW-48019T6011	4.8	19	8	7	10	2.5	14	6011	
OCW-48019T6018	4.8	19	8	7	10	2.5	14	6018	
OCW-48019T6028	4.8	19	8	7	10	2.5	14	6028	
OCW-48019T6029	4.8	19	8	7	10	2.5	14	6029	
OCW-48019T7000	4.8	19	8	7	10	2.5	14	7000	

Product information

Size	Product Code	Screw			Fixture		Max. drilling thickness	Washer size	RAL Colour
		Diameter	Length	Head size	Max. thickness with washer	Max. thickness without washer			
		d	l	S	t_{fix}				
[mm]									
Ø4.8	OCW-48019T7001	4.8	19	8	7	10	2.5	14	7001
	OCW-48019T7004	4.8	19	8	7	10	2.5	14	7004
	OCW-48019T7005	4.8	19	8	7	10	2.5	14	7005
	OCW-48019T7011	4.8	19	8	7	10	2.5	14	7011
	OCW-48019T7012	4.8	19	8	7	10	2.5	14	7012
	OCW-48019T7015	4.8	19	8	7	10	2.5	14	7015
	OCW-48019T7032	4.8	19	8	7	10	2.5	14	7032
	OCW-48019T7035	4.8	19	8	7	10	2.5	14	7035
	OCW-48019T7038	4.8	19	8	7	10	2.5	14	7038
	OCW-48019T7040	4.8	19	8	7	10	2.5	14	7040
	OCW-48019T7043	4.8	19	8	7	10	2.5	14	7043
	OCW-48019T7046	4.8	19	8	7	10	2.5	14	7046
	OCW-48019T7047	4.8	19	8	7	10	2.5	14	7047
	OCW-48019T8003	4.8	19	8	7	10	2.5	14	8003
	OCW-48019T8011	4.8	19	8	7	10	2.5	14	8011
	OCW-48019T8012	4.8	19	8	7	10	2.5	14	8012
	OCW-48019T8014	4.8	19	8	7	10	2.5	14	8014
	OCW-48019T8016	4.8	19	8	7	10	2.5	14	8016
	OCW-48019T8023	4.8	19	8	7	10	2.5	14	8023
	OCW-48019T8028	4.8	19	8	7	10	2.5	14	8028
OCW-48019T9001	4.8	19	8	7	10	2.5	14	9001	
OCW-48019T9003	4.8	19	8	7	10	2.5	14	9003	
OCW-48019T9007	4.8	19	8	7	10	2.5	14	9007	
OCW-48019T9999	4.8	19	8	7	10	2.5	14	9999	

Installation data



Size	Ø4.8		
Hole diameter in substrate	d_0	[mm]	-
Min. hole depth in substrate	h_0	[mm]	-
Min. installation depth	h_{nom}	[mm]	-
Min. substrate thickness	h_{min}	[mm]	0.4
Min. spacing	s_{min}	[mm]	30
Min. edge distance	c_{min}	[mm]	10
Wrench size	Sw	[mm]	8
Screw diameter	d	[mm]	4.8

Basic performance data

Performance data for single screw without influence of edge distance and spacing

Size		TENSION LOAD		SHEAR LOAD	
		Ø4.8 (T14)		Ø4.8	
MEAN ULTIMATE LOAD					
Substrate thickness 0,40mm	[kN]	0.65		0.47	
Substrate thickness 0,50mm	[kN]	0.71		0.49	
Substrate thickness 0,63mm	[kN]	1.17		0.97	
Substrate thickness 0,75mm	[kN]	1.23		1.11	
Substrate thickness 1,00mm	[kN]	1.86		2.12	
Substrate thickness 1,25mm	[kN]	2.52		-	
CHARACTERISTIC LOAD					
Substrate thickness 0,40mm	[kN]	0.42		0.37	
Substrate thickness 0,50mm	[kN]	0.48		0.38	
Substrate thickness 0,63mm	[kN]	0.78		0.76	
Substrate thickness 0,75mm	[kN]	0.91		0.89	
Substrate thickness 1,00mm	[kN]	1.30		1.72	
Substrate thickness 1,25mm	[kN]	1.30		-	
DESIGN LOAD					
Substrate thickness 0,40mm	[kN]	0.32		0.28	
Substrate thickness 0,50mm	[kN]	0.36		0.29	
Substrate thickness 0,63mm	[kN]	0.59		0.57	
Substrate thickness 0,75mm	[kN]	0.68		0.67	
Substrate thickness 1,00mm	[kN]	0.98		1.29	
Substrate thickness 1,25mm	[kN]	0.98		-	
RECOMMENDED LOAD					
Substrate thickness 0,40mm	[kN]	0.23		0.20	
Substrate thickness 0,50mm	[kN]	0.26		0.20	
Substrate thickness 0,63mm	[kN]	0.42		0.41	
Substrate thickness 0,75mm	[kN]	0.49		0.48	
Substrate thickness 1,00mm	[kN]	0.70		0.92	
Substrate thickness 1,25mm	[kN]	0.70		-	

Design performance data

DESIGN PERFORMANCE DATA Ø4.8

TENSION LOAD

Size			Ø4.8					
Substrate thickness	h_{min}	[mm]	0.40	0.50	0.63	0.75	1.00	1.25
Characteristic load	N_{Rk}	[kN]	0.42	0.48	0.78	0.91	1.45	1.81
Design resistance $\gamma_{MS} = 1.33$	N_{Rd}	[kN]	0.32	0.36	0.59	0.68	1.09	1.36

TENSION LOAD TO PULL SCREW WITH WASHER 14 THROUGH FIXTURE

Size			Ø4.8					
Sheet metal thickness	t_N	[mm]	0.40					
Characteristic resistance	$N_{o,Rk}$	[kN]	1.30					
Design resistance $\gamma_{MS} = 1.33$	$N_{o,Rd}$	[kN]	0.98					

SHEAR LOAD

Size			Ø4.8					
Sheet metal thickness	t_N	[mm]	0.40	0.50	0.63	0.75	1.00	
SUBSTRATE THICKNESS 0.40 mm								
Characteristic resistance	V_{Rk}	[kN]	0.37	-	-	-	-	
Design resistance $\gamma_{Mc} = 1.33$	V_{Rd}	[kN]	0.28	-	-	-	-	

Design performance data

Size			Ø4.8				
Sheet metal thickness	t _N	[mm]	0.40	0.50	0.63	0.75	1.00
SUBSTRATE THICKNESS 0.50 mm							
Characteristic resistance	V _{Rk}	[kN]	0.37	0.38	-	-	-
Design resistance $\gamma_{Mc} = 1.33$	V _{Rd}	[kN]	0.28	0.29	-	-	-
SUBSTRATE THICKNESS 0.63 mm							
Characteristic resistance	V _{Rk}	[kN]	0.37	0.38	0.76	-	-
Design resistance $\gamma_{Mc} = 1.33$	V _{Rd}	[kN]	0.28	0.29	0.57	-	-
SUBSTRATE THICKNESS 0.75 mm							
Characteristic resistance	V _{Rk}	[kN]	0.37	0.38	0.76	0.89	-
Design resistance $\gamma_{Mc} = 1.33$	V _{Rd}	[kN]	0.28	0.29	0.57	0.67	-
SUBSTRATE THICKNESS 1.00 mm							
Characteristic resistance	V _{Rk}	[kN]	0.37	0.38	0.76	0.89	1.72
Design resistance $\gamma_{Mc} = 1.33$	V _{Rd}	[kN]	0.28	0.29	0.57	0.67	1.29

Product commercial data

Product Code	Washer size [mm]	RAL Colour	Quantity [pcs]			Weight [kg]			Bar Codes
			Box	Outer	Pallet	Box	Outer	Pallet	
OCW-48016 ¹⁾	14		250	4000	96000	1.06	17.0	437.0	5906675324029
OCW-48019 ¹⁾	14		250	4000	96000	1.04	16.6	429.4	5906675324128
OCW-48019T ¹⁾	14		250	4000	96000	1.04	16.6	429.4	5906675324142
OD-48035A ¹⁾	14		250	3000	96000	1.46	17.5	590.6	5906675023465
OCW-48016T ¹⁾	14		250	4000	96000	1.06	17.0	437.0	5906675324043
OCWK-48019T ¹⁾	14		4	4	648	4.1	4.1	692.8	5906675113982
OCW-48019T3005 ¹⁾	14	3005	250	4000	96000	1.04	16.6	429.4	5906675017334
OCW-48019T3009 ¹⁾	14	3009	250	4000	96000	1.04	16.6	429.4	5906675015385
OCW-48019T3011 ¹⁾	14	3011	250	4000	96000	1.04	16.6	429.4	5906675017341
OCW-48019T5010 ¹⁾	14	5010	250	4000	96000	1.04	16.6	429.4	5906675000671
OCW-48019T6020 ¹⁾	14	6020	250	4000	96000	1.04	16.6	429.4	5906675015361
OCW-48019T7016 ¹⁾	14	7016	250	4000	96000	1.04	16.6	429.4	5906675017440
OCW-48019T7024 ¹⁾	14	7024	250	4000	96000	1.04	16.6	429.4	5906675017457
OCW-48019T8004 ¹⁾	14	8004	250	4000	96000	1.04	16.6	429.4	5906675017501
OCW-48019T8017 ¹⁾	14	8017	250	4000	96000	1.04	16.6	429.4	5906675015378
OCW-48019T8019 ¹⁾	14	8019	250	4000	96000	1.04	16.6	429.4	5906675212890
OCW-48019T9002 ¹⁾	14	9002	250	4000	96000	1.04	16.6	429.4	5906675014685
OCW-48019T9005 ¹⁾	14	9005	250	4000	96000	1.04	16.6	429.4	5906675017549
OCW-48019T9006 ¹⁾	14	9006	250	4000	96000	1.12	17.9	459.7	5906675015545
OCW-48019T9010 ¹⁾	14	9010	250	4000	96000	1.04	16.6	429.4	5906675212838
OCWK-48019T3009 ¹⁾	14	3009	4	4	648	4.1	4.1	692.5	5906675113999
OCWK-48019T6020 ¹⁾	14	6020	4	4	648	4.1	4.1	692.9	5906675114002
OCWK-48019T7024 ¹⁾	14	7024	4	4	648	4.2	4.2	715.5	5906675114019
OCWK-48019T8004 ¹⁾	14	8004	4	4	648	4.1	4.1	694.7	5906675114026
OCWK-48019T8017 ¹⁾	14	8017	4	4	648	4.2	4.2	713.6	5906675114033
OCWK-48019T9005 ¹⁾	14	9005	4	4	648	4.1	4.1	695.7	5906675114040
OCW-48016T1002 ¹⁾	14	1002	250	4000	96000	1.06	17.0	437.0	5906675378169
OCW-48016T1015 ¹⁾	14	1015	250	4000	96000	1.06	17.0	437.0	2074801610155
OCW-48016T2008 ¹⁾	14	2008	250	4000	96000	1.06	17.0	437.0	5906675468051
OCW-48016T3000 ¹⁾	14	3000	250	4000	96000	1.06	17.0	437.0	5906675212258
OCW-48016T3005 ¹⁾	14	3005	250	4000	96000	1.06	17.0	437.0	5906675228051
OCW-48016T3009 ¹⁾	14	3009	250	4000	96000	1.06	17.0	437.0	5906675265933
OCW-48016T3011 ¹⁾	14	3011	250	4000	96000	1.06	17.0	437.0	2074801630115
OCW-48016T3016 ¹⁾	14	3016	250	4000	96000	0.96	15.4	400.2	2074801630160
OCW-48016T3020 ¹⁾	14	3020	250	4000	96000	1.06	17.0	437.0	5906675017112
OCW-48016T5000 ¹⁾	14	5000	250	4000	96000	1.06	17.0	437.0	5906675017129

Product commercial data

Product Code	Washer size [mm]	RAL Colour	Quantity [pcs]			Weight [kg]			Bar Codes
			Box	Outer	Pallet	Box	Outer	Pallet	
OCW-48016T5002 ¹⁾	14	5002	250	4000	96000	1.06	17.0	437.0	5906675426778
OCW-48016T5010 ¹⁾	14	5010	250	4000	96000	1.06	17.0	437.0	5906675014678
OCW-48016T6005 ¹⁾	14	6005	250	4000	96000	1.06	17.0	437.0	2074801660051
OCW-48016T6010 ¹⁾	14	6010	250	4000	96000	1.06	17.0	437.0	5906675017136
OCW-48016T6011 ¹⁾	14	6011	250	4000	96000	1.06	17.0	437.0	5906675033877
OCW-48016T6018 ¹⁾	14	6018	250	4000	96000	1.06	17.0	437.0	5906675468068
OCW-48016T6020 ¹⁾	14	6020	250	4000	96000	1.06	17.0	437.0	5906675375748
OCW-48016T6029 ¹⁾	14	6029	250	4000	96000	1.06	17.0	437.0	5906675375755
OCW-48016T7000 ¹⁾	14	7000	250	4000	96000	1.19	19.1	487.2	5906675016429
OCW-48016T7004 ¹⁾	14	7004	250	4000	96000	1.06	17.0	437.0	5906675076157
OCW-48016T7005 ¹⁾	14	7005	250	4000	96000	1.19	19.1	487.2	5906675171296
OCW-48016T7016 ¹⁾	14	7016	250	4000	96000	1.06	17.0	437.0	5906675016009
OCW-48016T7024 ¹⁾	14	7024	250	4000	96000	1.06	17.0	437.0	5906675017143
OCW-48016T7032 ¹⁾	14	7032	250	4000	96000	1.06	17.0	437.0	5906675068213
OCW-48016T7035 ¹⁾	14	7035	250	4000	96000	1.06	17.0	437.0	2074801670357
OCW-48016T7037 ¹⁾	14	7037	250	4000	96000	1.06	17.0	437.0	5906675265117
OCW-48016T8004 ¹⁾	14	8004	250	4000	96000	1.06	17.0	437.0	2074801680042
OCW-48016T8016 ¹⁾	14	8016	250	4000	96000	1.06	17.0	437.0	5906675019864
OCW-48016T8017 ¹⁾	14	8017	250	4000	96000	1.06	17.0	437.0	2074801680172
OCW-48016T8019 ¹⁾	14	8019	250	4000	96000	1.06	17.0	437.0	5906675265926
OCW-48016T9002 ¹⁾	14	9002	250	4000	96000	1.06	17.0	437.0	5906675014692
OCW-48016T9005 ¹⁾	14	9005	250	4000	96000	1.06	17.0	437.0	5906675016412
OCW-48016T9006 ¹⁾	14	9006	250	4000	96000	1.06	17.0	437.0	5906675015040
OCW-48016T9007 ¹⁾	14	9007	250	4000	96000	1.06	17.0	437.0	5906675014494
OCW-48016T9010 ¹⁾	14	9010	250	4000	96000	1.06	17.0	437.0	5906675228044
OCW-48019A8004 ¹⁾	14	8004	250	4000	96000	1.04	16.6	429.4	5906675017228
OCW-48019A9010 ¹⁾	14	9010	250	4000	96000	1.04	16.6	429.4	5906675017259
OCW-48019A9011 ¹⁾	14	9011	250	4000	96000	1.04	16.6	429.4	5906675500119
OCW-48019T1001 ¹⁾	14	5008	250	4000	96000	1.04	16.6	429.4	5906675060088
OCW-48019T1002 ¹⁾	14	1002	250	4000	96000	1.04	16.6	429.4	5906675017273
OCW-48019T1003 ¹⁾	14	1001	250	4000	96000	1.04	16.6	429.4	5906675017280
OCW-48019T1013 ¹⁾	14	1013	250	4000	96000	1.04	16.6	429.4	5906675224732
OCW-48019T1014 ¹⁾	14	1014	250	4000	96000	1.04	16.6	429.4	5906675017297
OCW-48019T1015 ¹⁾	14	1015	250	4000	96000	1.04	16.6	429.4	5906675017303
OCW-48019T1017 ¹⁾	14	1017	250	4000	96000	1.04	16.6	429.4	5906675113005
OCW-48019T1018 ¹⁾	14	1018	250	4000	96000	1.08	17.2	442.8	5906675158891
OCW-48019T1021 ¹⁾	14	1021	250	4000	96000	1.04	16.6	429.4	5906675017310
OCW-48019T1023 ¹⁾	14	1023	250	4000	96000	1.17	18.7	479.3	5906675260518
OCW-48019T2008 ¹⁾	14	2008	250	4000	96000	1.04	16.6	429.4	5906675025612
OCW-48019T3000 ¹⁾	14	3000	250	4000	96000	1.04	16.6	429.4	5906675212883
OCW-48019T3002 ¹⁾	14	3002	250	4000	96000	1.04	16.6	429.4	5906675056852
OCW-48019T3003 ¹⁾	14	3003	250	4000	96000	1.04	16.6	429.4	5906675017327
OCW-48019T3013 ¹⁾	14	3013	250	4000	96000	1.17	18.7	479.3	5906675017358
OCW-48019T3016 ¹⁾	14	3016	250	4000	96000	1.04	16.6	429.4	2074801930161
OCW-48019T3020 ¹⁾	14	3020	250	4000	96000	1.19	19.1	487.2	5906675209142
OCW-48019T5002 ¹⁾	14	5002	250	4000	96000	1.19	19.1	487.2	5906675222264
OCW-48019T5003 ¹⁾	14	5003	250	4000	96000	1.04	16.6	429.4	5906675483139
OCW-48019T5005 ¹⁾	14	5005	250	4000	96000	1.04	16.6	429.4	5906675017365
OCW-48019T5011 ¹⁾	14	5011	250	4000	96000	1.04	16.6	429.4	5906675043098
OCW-48019T5012 ¹⁾	14	5012	250	4000	96000	1.04	16.6	429.4	5906675017372
OCW-48019T5014 ¹⁾	14	5014	250	4000	96000	1.04	16.6	429.4	5906675025605
OCW-48019T5015 ¹⁾	14	5015	250	4000	96000	1.04	16.6	429.4	5906675513423
OCW-48019T5017 ¹⁾	14	5017	250	4000	96000	1.04	16.6	429.4	5906675329246
OCW-48019T6002 ¹⁾	14	6002	250	4000	96000	1.04	16.6	429.4	5906675007625

Product commercial data

Product Code	Washer size [mm]	RAL Colour	Quantity [pcs]			Weight [kg]			Bar Codes
			Box	Outer	Pallet	Box	Outer	Pallet	
OCW-48019T6003 ¹⁾	14	6003	250	4000	96000	1.04	16.6	429.4	2074801960038
OCW-48019T6004 ¹⁾	14	6004	250	4000	96000	1.04	16.6	429.4	5906675418902
OCW-48019T5008 ¹⁾	14	5008	250	4000	96000	1.04	16.6	429.4	5906675291833
OCW-48019T6005 ¹⁾	14	6005	250	4000	96000	1.04	16.6	429.4	5906675017389
OCW-48019T6007 ¹⁾	14	6007	250	4000	96000	1.04	16.6	429.4	5906675382685
OCW-48019T6011 ¹⁾	14	6011	250	4000	96000	1.04	16.6	429.4	5906675017396
OCW-48019T6018 ¹⁾	14	6018	250	4000	96000	1.04	16.6	429.4	5906675287478
OCW-48019T6028 ¹⁾	14	6028	250	4000	96000	1.04	16.6	429.4	5906675271644
OCW-48019T6029 ¹⁾	14	6029	250	4000	96000	1.04	16.6	429.4	5906675017402
OCW-48019T7000 ¹⁾	14	7000	250	4000	96000	1.04	16.6	429.4	2074801970006
OCW-48019T7001 ¹⁾	14	7001	250	4000	96000	1.04	16.6	429.4	5906675017419
OCW-48019T7004 ¹⁾	14	7004	250	4000	96000	1.04	16.6	429.4	5906675017426
OCW-48019T7005 ¹⁾	14	7005	250	4000	96000	1.04	16.6	429.4	5906675049984
OCW-48019T7011 ¹⁾	14	7011	250	4000	96000	1.04	16.6	429.4	5906675265056
OCW-48019T7012 ¹⁾	14	7012	250	4000	96000	1.04	16.6	429.4	5906675099125
OCW-48019T7015 ¹⁾	14	7015	250	4000	96000	1.04	16.6	429.4	5906675017433
OCW-48019T7032 ¹⁾	14	7032	250	4000	96000	1.17	18.7	479.3	5906675221540
OCW-48019T7035 ¹⁾	14	7035	250	4000	96000	1.04	16.6	429.4	2074801970358
OCW-48019T7038 ¹⁾	14	7038	250	4000	96000	1.17	18.7	479.3	5906675017464
OCW-48019T7040 ¹⁾	14	7040	250	4000	96000	1.04	16.6	429.4	5906675017471
OCW-48019T7043 ¹⁾	14	7043	250	4000	96000	1.04	16.6	429.4	5906675378954
OCW-48019T7046 ¹⁾	14	7046	250	4000	96000	1.04	16.6	429.4	5906675375793
OCW-48019T7047 ¹⁾	14	7047	250	4000	96000	1.04	16.6	429.4	5906675017488
OCW-48019T8003 ¹⁾	14	8003	250	4000	96000	1.04	16.6	429.4	5906675377926
OCW-48019T8011 ¹⁾	14	8011	250	4000	96000	1.08	17.2	442.8	5906675158914
OCW-48019T8012 ¹⁾	14	8012	250	4000	96000	1.04	16.6	429.4	5906675019970
OCW-48019T8014 ¹⁾	14	8014	250	4000	96000	1.04	16.6	429.4	5906675017518
OCW-48019T8016 ¹⁾	14	8016	250	4000	96000	1.04	16.6	429.4	5906675212852
OCW-48019T8023 ¹⁾	14	8023	250	4000	96000	1.04	16.6	429.4	5906675100807
OCW-48019T8028 ¹⁾	14	8028	250	4000	96000	1.04	16.6	429.4	5906675048505
OCW-48019T9001 ¹⁾	14	9001	250	4000	96000	1.04	16.6	429.4	5906675017525
OCW-48019T9003 ¹⁾	14	9003	250	4000	96000	1.04	16.6	429.4	5906675017532
OCW-48019T9007 ¹⁾	14	9007	250	4000	96000	1.04	16.6	429.4	5906675289144
OCW-48019T9999 ¹⁾	14	9999	250	4000	96000	1.04	16.6	429.4	5906675291079

1) ETA-13/0203