

KMW Metal hammer fixing

For light duty fixings of metal constructions and sheet metal to solid building materials



Product information

Features and benefits

- Low-profile mushroom head provides a nice finish and tamper proof fastening
- Consistent load values ensure safe light-duty fastenings in concrete and masonry
- Impact expansion by hammer, no setting tool is needed
- Designed for easy push-through fastenings, even in bottomless holes
- The product can not be used in ceiling application and suspension systems

Applications

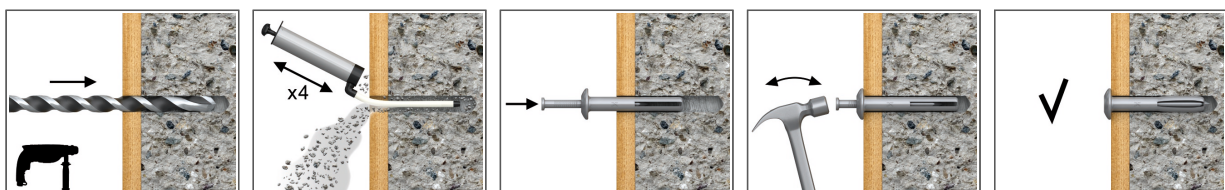
- Metal roof profiles
- Pipework installation
- Cable trays
- Cable conduits and wires
- Cladding and panelling and installation of other external trim

Base materials

Approved for use in:

- Non-cracked concrete C20/25-C50/60

Installation guide

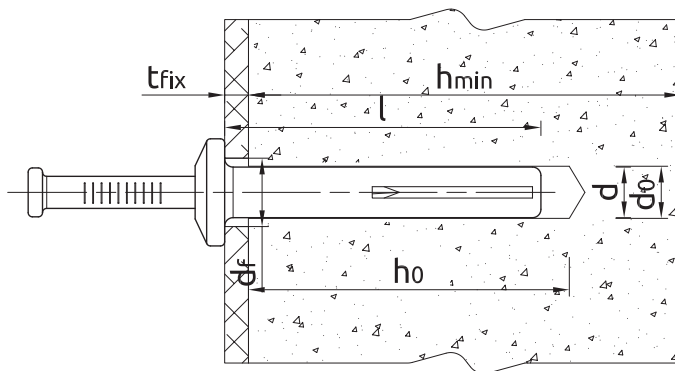


1. Drill a hole of required diameter and depth
2. Insert fixing through fixture into hole until fixing depth is reached.
3. Hammer-in the nail. Drive the expansion wedge in flush to the nail head.

Product information

Size	Product Code	Anchor		Fixture	
		Diameter	Length	Max. thickness	Hole diameter
		d	L	t _{fix}	d _f
[mm]					
Ø5	KMW-05020	5	20	1	6
Ø6	KMW-06030	6	30	1	7
	KMW-06040	6	40	10	7
	KMW-06050	6	50	20	7
	KMW-06065	6	65	35	7
	R-KMW-06040	6	40	10	7

Installation data



Size			Ø5	Ø6
Hole diameter in substrate	d ₀	[mm]	5	6
Min. hole depth in substrate	h ₀	[mm]	25	35
Min. installation depth	h _{nom}	[mm]	20	30
Min. substrate thickness	h _{min}	[mm]	100	100
Min. spacing	s _{min}	[mm]	20	20
Min. edge distance	c _{min}	[mm]	30	30
Fixing diameter	d	[mm]	5	6

Basic performance data

Performance data for single fixing without influence of edge distance and spacing

Substrate		Concrete C20/25	Solid brick 15MPa
MEAN ULTIMATE LOAD F_{Ru,m}			
Ø05	[kN]	0.31	1.61
Ø06	[kN]	1.24	2.44
CHARACTERISTIC LOAD F_{Rk}			
Ø05	[kN]	0.17	0.77
Ø06	[kN]	0.55	1.92
DESIGN LOAD F_{Rd}			
Ø05	[kN]	0.06	0.26
Ø06	[kN]	0.21	0.66
RECOMMENDED LOAD F_{Rc}			
Ø05	[kN]	0.04	0.19
Ø06	[kN]	0.15	0.47

Product commercial data

Product Code	Anchor		Quantity [pcs]			Weight [kg]			Bar Codes
	Diameter [mm]	Length [mm]	Box	Outer	Pallet	Box	Outer	Pallet	
KMW-05020	5	20	200	6400	70400	0.94	30.1	360.9	5906675103020
KMW-06030	6	30	100	1600	38400	0.89	14.2	370.1	5906675103129
KMW-06040	6	40	100	1600	51200	1.01	16.1	546.4	5906675103228
KMW-06050	6	50	100	1600	51200	1.19	19.1	640.8	5906675103327
KMW-06065	6	65	100	1200	28800	1.48	17.8	456.2	5906675103426
R-KMW-06040	6	40	100	1600	38400	0.99	15.9	410.9	5906675170442