

## D-TG Post base with baseplate

Post base with baseplate for heavy duty anchoring of wood construction elements



### Approvals and Reports

- ETA-12/0523



### Product information

#### Features and benefits

- Anchoring of wooden construction elements
- Wide bores in the baseplate allow fastening using durable anchors or screws
- Steel sheet thickness: baseplate 6.0 mm, handles 5.0 mm
- Hot-dip galvanized for enhanced corrosion resistance

#### Applications

- Wooden constructions
- Supporting posts
- Wooden fences
- Pergolas, bowers, sheds
- Wooden decks

#### Base materials

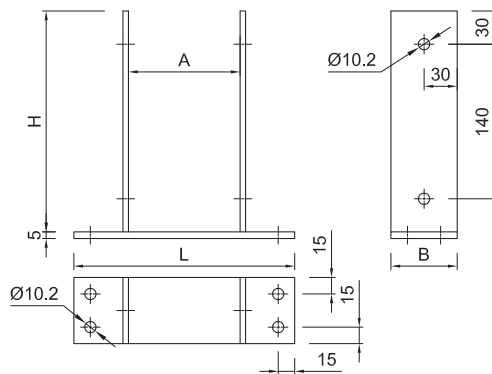
##### Suitable for use in

- Wood
- Timber
- Concrete

### Installation guide

1. Choose the right size of post base
2. Set the post base in required place and position
3. Fasten the base plate using anchored studs or adequate screws
4. Place another element, set the required position and fasten it secure

### Product information



Product Code	Connector dimensions			
	Dimensions			
	A	B	H	L
	[mm]			
D-TG-716	71	60	200	200
D-TG-816	81	60	200	200
D-TG-916	91	60	200	200
D-TG-1016	101	60	200	200
D-TG-1116	111	60	200	200
D-TG-1216	121	60	200	200

### Product commercial data

Product Code	Connector dimensions			Quantity [pcs]			Weight [kg]			Bar Codes
	Dimensions [mm]			Box	Outer	Pallet	Box	Outer	Pallet	
D-TG-716 <sup>1)</sup>	60	200	200	1	1	240	1.50	1.50	390.0	5906675468129
D-TG-816 <sup>1)</sup>	60	200	200	1	1	250	1.52	1.52	410.5	5906675468228
D-TG-916 <sup>1)</sup>	60	200	200	1	1	250	1.48	1.48	399.5	5906675468327
D-TG-1016 <sup>1)</sup>	60	200	200	1	1	250	1.52	1.52	411.0	5906675468525
D-TG-1116 <sup>1)</sup>	60	200	200	1	1	250	1.52	1.52	409.5	5906675468624
D-TG-1216 <sup>1)</sup>	60	200	200	1	1	240	1.53	1.53	396.0	5906675468822

1) ETA-12/0523