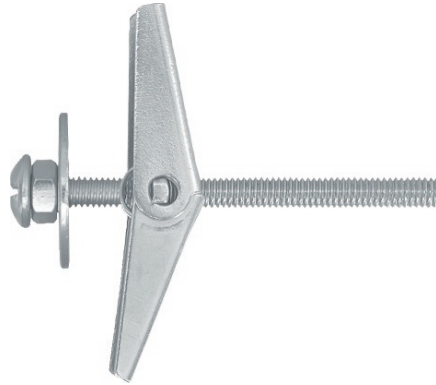


SPO Spring Toggle for use in Plasterboard

Self-acting anchor



Product information

Features and benefits

- Long screw of the toggle fixing allows use in boards of various thicknesses and with thick attachments, offering maximum flexibility.
- Wide transition beams ensure a good load distribution allowing high load-bearing capacity
- Allows easy installation for fastenings behind thick panels in very flat cavities.
- Self-acting anchor with easy installation.
- Suitable for overhead applications

Applications

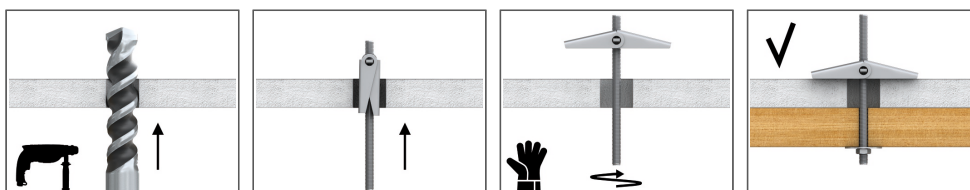
- Light shelving
- Brackets, grips and hooks
- Paintings
- Lamps
- Lighting
- Mirrors
- Shelves
- Other decorative elements

Base materials

Suitable for use in

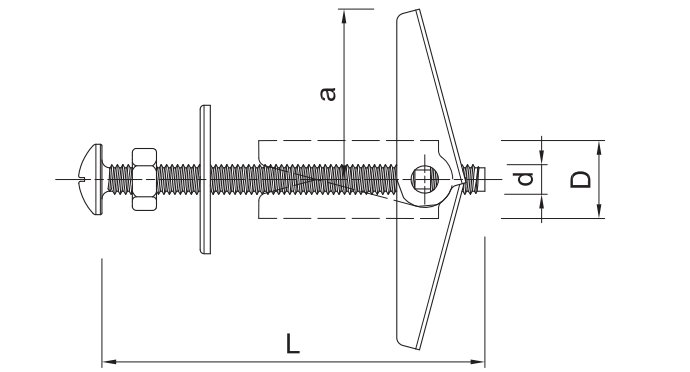
- Plasterboard
- Chipboard
- Oriented Strand Board
- PVC Profile

Installation guide



1. Drill a hole of the required diameter.
2. Compress the 'wings' and push the fixing into the hole.
3. While tightening the screw, pull the fixture out from the wall or ceiling to prevent the 'wings' spinning freely.

Product information



Product Code	Screw type	Plug	Screw		Fixture	Plug	Quantity
		Radius	Diameter	Length	Hole diameter	Diameter	
		a	d	L	d _f	D	
[mm]							[pcs]
SPO-03050	metric screw	20	3	50	12	10	-
SPO-05050	metric screw	25	5	50	14	12	-
SPO-05080	metric screw	25	5	80	14	14	-
SPO-06080	metric screw	30	6	80	18	18	-
R-SPO-03050	metric screw	20	3	50	12	10	100
R-SPO-05080	metric screw	25	5	80	14	14	100
R-SPO-06060	metric screw	30	6	60	18	18	50
R-SPO-06080	metric screw	30	6	80	18	18	50
R-SPO-05050	metric screw	25	5	50	14	12	100

Installation data

Substrate			Plasterboard min. 12.5
Hole diameter in substrate	d ₀	[mm]	14
Min. installation depth	h _{nom}	[mm]	9.5
Min. substrate thickness	h _{min}	[mm]	9.5
Min. spacing	s _{min}	[mm]	100
Min. edge distance	c _{min}	[mm]	100
Fixing diameter	d	[mm]	4
Board thickness	t _{fix}	[mm]	9,5

Product commercial data

Product Code	Screw	Quantity [pcs]			Weight [kg]			Bar Codes
	Length [mm]	Box	Outer	Pallet	Box	Outer	Pallet	
SPO-03050	50							
SPO-05050	50	100	1600		1.35	21.6		
SPO-05080	80							
SPO-06080	80							
R-SPO-05080	80	100	1200	28800	1.69	20.3	516.4	5010445944390
R-SPO-05050	50	100	1600	38400	1.32	21.1	535.3	5906675206950
R-SPO-03050	50	100	1600	38400	0.51	8.2	226.6	5010445944307
R-SPO-06060	60	50	800	19200	1.13	18.1	464.3	5010445944420
R-SPO-06080	80	50	800	19200	1.30	20.8	528.4	5010445944451