

## D-PD Roofing batten strut

### Roofing tiles batten strut



### Product information

#### Features and benefits

- Special shaped bracket for fixing roofing tile battens
- Hardened nail for fast and secure anchoring
- Steel sheet thickness: 2.0 mm
- Zinc electroplated for enhanced corrosion resistance
- Anti-corrosion coating thickness min. 8µm

#### Applications

- Roof battens installation
- Wooden roof constructions

#### Base materials

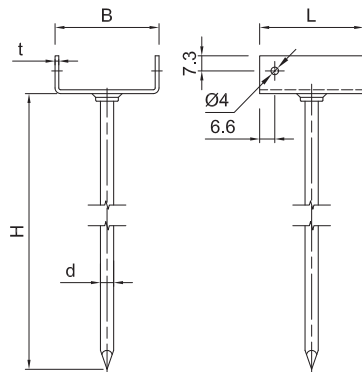
##### Suitable for use in

- Timber

### Installation guide

1. Choose the right size of wood connector
2. Set the connector in required place and position
3. Hammer in the strut
4. Insert roofing bat in connector's bracket
5. Fasten the roofing batten using anchor nails or adequate screws

## Product information



Product Code	Nail	Connector dimensions			
	Diameter	Dimensions			Thickness
	d	B	H	L	t
	[mm]				
D-PD-210	7	55	210	50	2
D-PD-260	7.5	55	260	50	2
D-PD-310	8	55	310	50	2

## Product commercial data

Product Code	Nail	Connector dimensions			Quantity [pcs]			Weight [kg]			Bar Codes
	Diameter [mm]	Dimensions [mm]			Box	Outer	Pallet	Box	Outer	Pallet	
D-PD-210	7	55	210	50	50	50	2700	6.5	6.5	381.3	5906675429120
D-PD-260	7.5	55	260	50	1	100	1800	0.50	50.0	930.0	5906675429229
D-PD-310	8	55	310	50	1	100	1800	0.54	54.0	1002.0	5906675429328