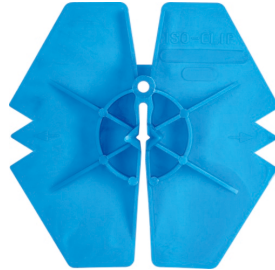


ISO-CLIP CAVITY WALL INSULATION FLANGE

Insulation flange with draining nozzle for cavity wall ties made of wire or flat steel
3.0-6.0mm diameter



Product information

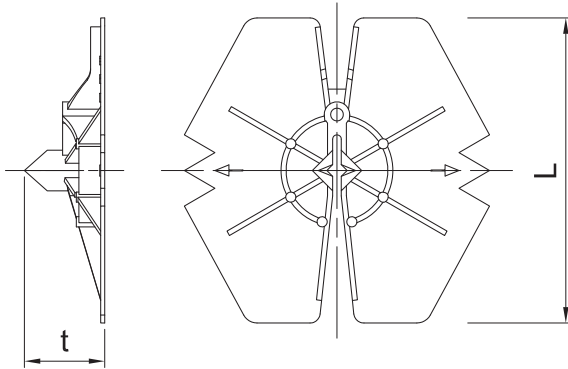
Features and benefits

- Easy to fasten due to sideways installation.
- Ensures elimination of condensation via draining nozzles.
- For cavity wall ties made of wire from 3-5mm as well as Multi cavity wall tie.

Applications

- Cavity walls

Product information



Product Code	Diameter
	d
	[mm]
ISO-CLIP	60

Product commercial data

Product Code	Diameter [mm]	Quantity [pcs]			Weight [kg]			Bar Codes
		Box	Outer	Pallet	Box	Outer	Pallet	
ISO-CLIP	60	250	2500	20000	0.87	8.7	99.4	4008940112308