

D-TB Post base with baseplate

Post base with baseplate for anchoring wooden construction elements



Approvals and Reports

- ETA-12/0523



Product information

Features and benefits

- Anchoring of wooden construction elements
- Wide bores in the baseplate allow fastening using durable anchors or screws
- Steel sheet thickness: baseplate 5.0 mm, socket 2.0 mm
- Hot-dip galvanized for enhanced corrosion resistance

Applications

- Wooden constructions
- Supporting posts
- Wooden fences
- Pergolas, bowers, sheds
- Wooden decks

Base materials

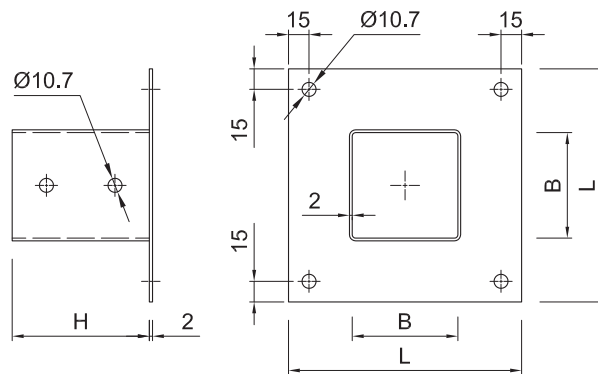
Suitable for use in

- Wood
- Timber
- Concrete

Installation guide

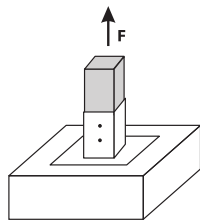
1. Choose the right size of post base
2. Set the post base in required place and position
3. Fasten the base plate using anchored studs or adequate screws
4. Place another element, set the required position and fasten it secure

Product information



Product Code	Handle		Base
	B x B	H	L
	[mm]		
D-TB-71	71 x 71	150	150
D-TB-81	81 x 81	150	150
D-TB-91	91 x 91	150	150
D-TB-101	101 x 101	150	150
D-TB-121	121 x 121	150	170

Basic performance data



Loading diagram

Product Code	Load resistance		
	Characteristic	Design	Recommended
	[kN]	[kN]	[kN]
D-TB-71	5.14	1.70	1.20
D-TB-81	5.14	1.70	1.20
D-TB-91	5.14	1.70	1.20

Product commercial data

Product Code	Handle		Base	Quantity [pcs]			Weight [kg]			Bar Codes
	B x B [mm]	H [mm]	L [mm]	Box	Outer	Pallet	Box	Outer	Pallet	
D-TB-71 ¹⁾	71 x 71	150	150	1	1	108	0.94	0.94	131.3	5906675462226
D-TB-81 ¹⁾	81 x 81	150	150	1	1	200	1.20	1.20	269.2	5906675462325
D-TB-91 ¹⁾	91 x 91	150	150	1	1	240	1.05	1.05	281.0	5906675462424
D-TB-101 ¹⁾	101 x 101	150	150	1	1	240	1.12	1.12	299.5	5906675115207
D-TB-121 ¹⁾	121 x 121	150	170	1	1	100	1.49	1.49	179.3	5906675115214

1) ETA-12/0523