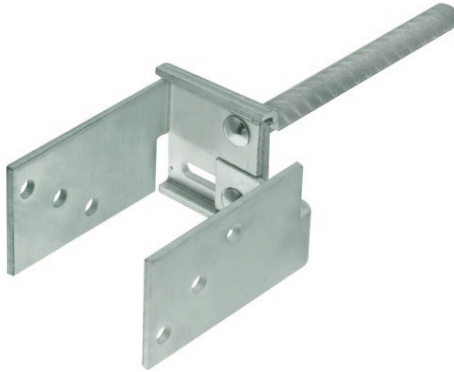


D-TCR Adjustable post base with embedment rebar

Adjustable width post base of wood construction elements in ground base.



Product information

Features and benefits

- Anchoring wooden construction elements in concrete base
- Adjustable in width to accommodate a wide dimensional range of fastened elements
- Steel sheet thickness: 5.0 mm
- Embedment rebar: Ø19
- Hot-dip galvanized for enhanced corrosion resistance
- Adjustable width: 60-152 mm

Applications

- Wooden constructions
- Supporting posts
- Wooden decks
- Pergolas, bowers, sheds

Base materials

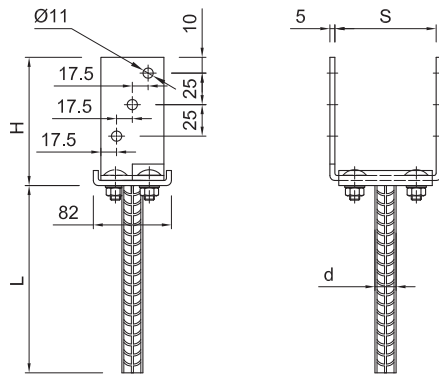
Suitable for use in

- Natural Stone (after site testing)
- Concrete

Installation guide

1. Choose the right size of post base
2. Set the post base in required place and position
3. Hammer-in the post base through a piece of wood
4. Place another element, set the required position and fasten it secure

Product information



Product Code	Connector dimensions	
	Dimensions	
	H	L
	[mm]	
D-TCR-816	130	200

Product commercial data

Product Code	Connector dimensions		Quantity [pcs]			Weight [kg]			Bar Codes
	Dimensions [mm]		Box	Outer	Pallet	Box	Outer	Pallet	
D-TCR-816	130	200	1	1	50	1.40	1.40	100.2	5906675323732