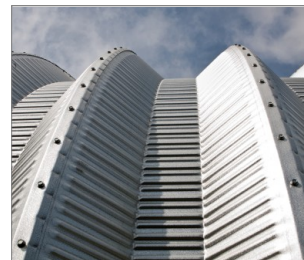


PES EPDM Washers for self-drilling screws

Special shape of the washer ensures proper placement of the EPDM sealing material to substrate



Product information

Features and benefits

- Self vulcanizing EPDM washer.
- Temperature and UV resistant.
- The special shape of the washer ensures proper seating of the sealing material on the outer cladding material fixture which guarantees a proper seal.
- Temperature range from -50C to +100C

Applications

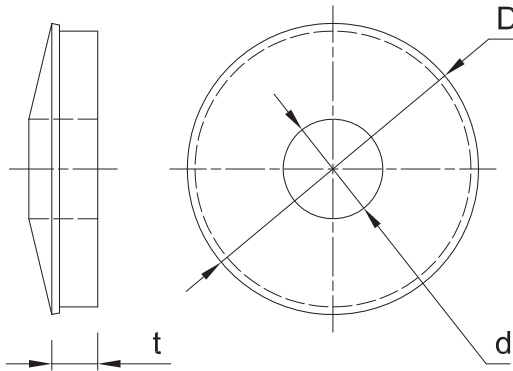
- Sealing connection made of with self-drilling screws.

Base materials

Approved for use in:

- Metal Sheet & Profiles

Product information



Size	Product Code	Size	Stainless steel washer	
			Hole diameter	Thickness
		D	d	t
[mm]				
Ø14	PES-14	14	6.8	4
Ø16	PES-16	16	6.8	4

Product commercial data

Product Code	Size [mm]	Quantity [pcs]			Weight [kg]			Bar Codes
		Box	Outer	Pallet	Box	Outer	Pallet	
PES-14	14	100	15000	360000	0.12	18.0	462.0	5906675371122
PES-16	16	100	12000	288000	0.25	29.4	735.6	5906675371221