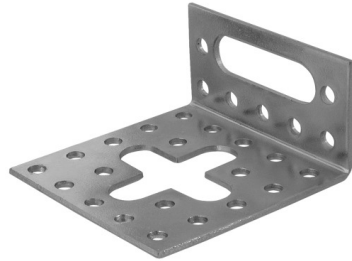


D-ZKR Adjustable angle bracket

Adjustable angle bracket for flexible connecting of wood construction elements



Approvals and Reports

- ETA-12/0523



Product information

Features and benefits

- Connection of wooden construction elements
- The slot in the connector enables flexible positioning around the anchor bolt
- Steel sheet thickness: 2.0 mm
- Zinc electroplated for enhanced corrosion resistance
- Anti-corrosion coating thickness min. 8µm

Applications

- Alignment control between a roof truss and nonbearing walls
- Flexible position wood elements fastening
- Wooden constructions
- Wood boards
- Pergolas, bowers, sheds
- Wooden decks

Base materials

Approved for use in:

- Timber

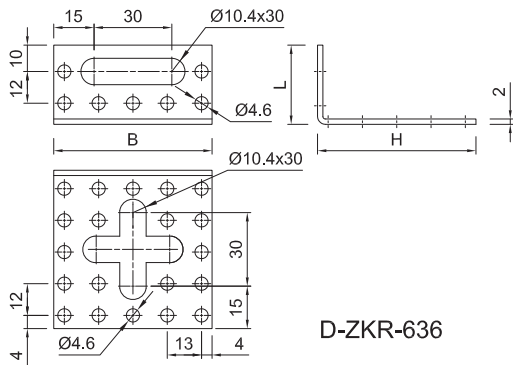
Also suitable for use in:

- Chipboard
- Plywood

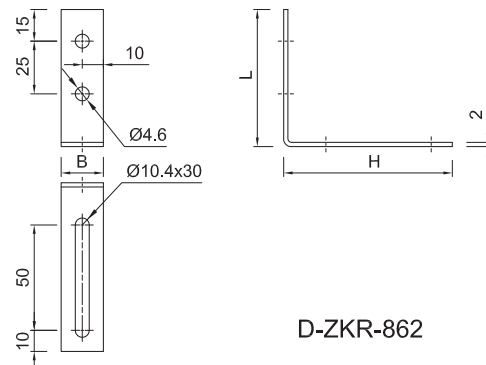
Installation guide

1. Choose the right size of wood connector
2. Set the connector in required place and position
3. Fasten the connector using anchor nails or adequate screws
4. Place another element and fasten it secure

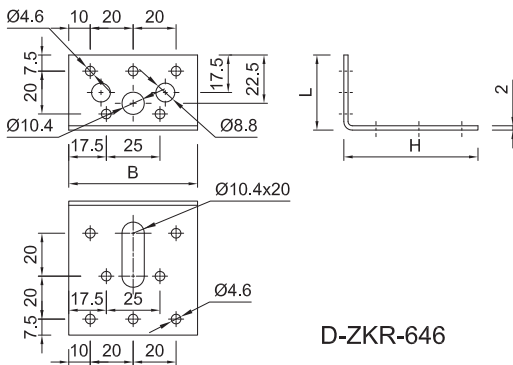
Product information



D-ZKR-636



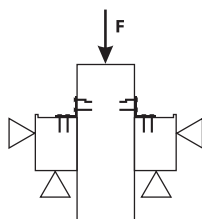
D-ZKR-862



D-ZKR-646

Product Code	Connector dimensions			Number of holes	
	Dimensions			Ø4.6	Ø6.6
	B	H	L		
	[mm]				
D-ZKR-636	60	60	30	7 + 20	-
D-ZKR-646	60	60	40	7 + 5	-
D-ZKR-862	20	80	65	-	2

Basic performance data



Loading diagram

Product Code	Load resistance		
	Characteristic	Design	Recommended
	[kN]	[kN]	[kN]
D-ZKR-636	3.24	1.10	0.80
D-ZKR-646	3.24	1.10	0.80
D-ZKR-862	3.24	1.10	0.80

Product commercial data

Product Code	Connector dimensions			Quantity [pcs]			Weight [kg]			Bar Codes
	Dimensions [mm]			Box	Outer	Pallet	Box	Outer	Pallet	
D-ZKR-636 ¹⁾	60	60	30	50	50	10500	3.1	3.1	681.0	5906675403229
D-ZKR-646 ¹⁾	60	60	40	70	70	3780	5.6	5.6	332.4	5906675403328
D-ZKR-862 ¹⁾	20	80	65	180	180	9720	6.7	6.7	391.6	5906675403021

1) ETA-12/0523