

# FIX EXPANSION PLUG WITH ROUND HOOK

Easy-to-install plug with round hook giving exceptional performance in solid base materials



## Product information

### Features and benefits

- Anti-rotation fins prevent spinning during tightening of the screw.
- Engineered grip feature for extra holding power.
- Two-way expansion mechanism provides a strong anchorage in solid base materials.
- Round hook screw for many application scenarios

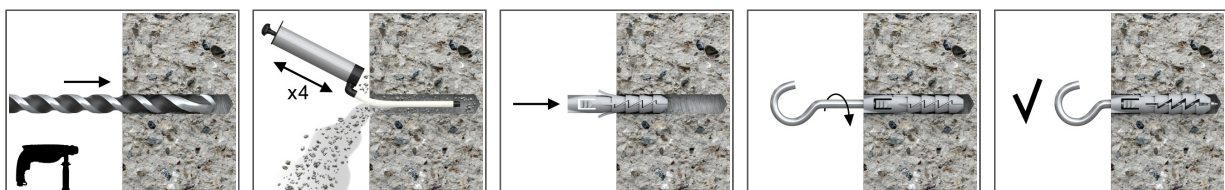
### Applications

- Pictures
- Lighting
- Shelves
- Letterboxes

### Base materials

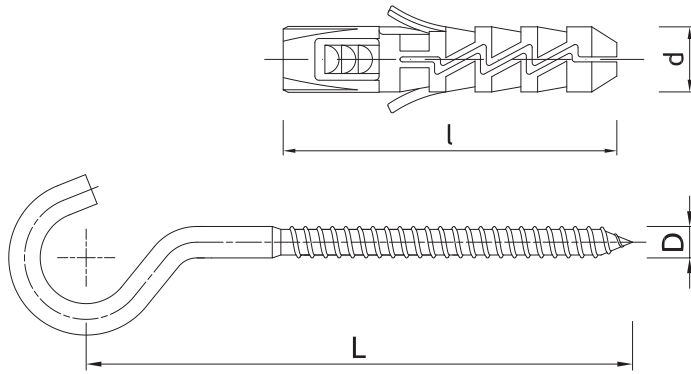
- Approved for use in:**
- Concrete

## Installation guide



1. Drill a hole of required diameter.
2. Insert FIX plug into hole and tap home.
3. Insert screw of required diameter into plug through fixture and tighten.

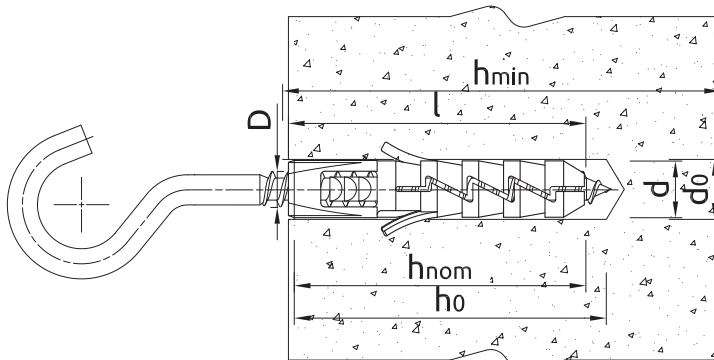
## Product information



Product dimensions

Size	Product Code	Plug		Screw	
		Diameter	Length	Diameter	Length
		d	l	D	L
[mm]					
Ø6	FIX-06S	6	30	4,5	50
Ø8	FIX-08S	8	40	5	65
Ø10	FIX-10S	10	50	6	85

## Installation data



Installation data for round hook

Size			Ø6	Ø8	Ø10
Fixing diameter	d	[mm]	6	8	10
Hole diameter in substrate	d <sub>0</sub>	[mm]	6	8	10
Min. hole depth in substrate	h <sub>0</sub>	[mm]	40	50	60
Min. installation depth	h <sub>nom</sub>	[mm]	30	40	50
Min. substrate thickness	h <sub>min</sub>	[mm]	80	80	80
Min. spacing	s <sub>min</sub>	[mm]	60	80	100
Min. edge distance	c <sub>min</sub>	[mm]	60	80	100

## Basic performance data

Performance data for single fixing without influence of edge distance and spacing

Substrate	Concrete C20/25 - C50/60	Solid clay brick min 20MPa (eg Mz20/2.0)	Sand-lime solid brick	Aerated concrete 600 Mark V	Hollow lightweight concrete block
<b>CHARACTERISTIC LOAD</b>					
<b>TENSION LOAD N<sub>Rk</sub></b>					
Ø6, Embedment depth 30mm	[kN]	0.15	0.15	0.30	0.37
Ø8, Embedment depth 40mm	[kN]	0.43	0.43	0.43	-
Ø10, Embedment depth 50mm	[kN]	0.40	0.40	0.60	-

## Basic performance data

Substrate		Concrete C20/25 - C50/60	Solid clay brick min 20MPa (eg Mz20/2.0)	Sand-lime solid brick	Aerated concrete 600 Mark V	Hollow lightweight concrete block
<b>SHEAR LOAD <math>V_{Rk}</math></b>						
Ø6, Embedment depth 30mm	[kN]	0.15	0.15	0.30	0.40	0.40
Ø8, Embedment depth 40mm	[kN]	0.50	0.50	1.20	0.75	-
Ø10, Embedment depth 50mm	[kN]	0.40	0.40	0.60	0.90	-
<b>DESIGN LOAD</b>						
<b>TENSION LOAD <math>N_{Rd}</math></b>						
Ø6, Embedment depth 30mm	[kN]	0.08	0.06	0.12	0.20	0.16
Ø8, Embedment depth 40mm	[kN]	0.28	0.20	0.34	0.34	-
Ø10, Embedment depth 50mm	[kN]	0.22	0.16	0.24	0.45	-
<b>SHEAR LOAD <math>V_{Rd}</math></b>						
Ø6, Embedment depth 30mm	[kN]	0.12	0.12	0.24	0.32	0.32
Ø8, Embedment depth 40mm	[kN]	0.40	0.40	0.96	0.60	-
Ø10, Embedment depth 50mm	[kN]	0.32	0.32	0.48	0.72	-
<b>RECOMMENDED LOAD</b>						
<b>TENSION LOAD <math>N_{rec}</math></b>						
Ø6, Embedment depth 30mm	[kN]	0.06	0.04	0.09	0.14	0.11
Ø8, Embedment depth 40mm	[kN]	0.20	0.14	0.23	0.25	-
Ø10, Embedment depth 50mm	[kN]	0.16	0.11	0.17	0.32	-
<b>SHEAR LOAD <math>V_{rec}</math></b>						
Ø6, Embedment depth 30mm	[kN]	0.09	0.09	0.17	0.23	0.23
Ø8, Embedment depth 40mm	[kN]	0.29	0.29	0.69	0.43	-
Ø10, Embedment depth 50mm	[kN]	0.23	0.23	0.34	0.51	-

## Product commercial data

Product Code	Plug	Screw	Quantity [pcs]			Weight [kg]			Bar Codes
	Diameter [mm]	Length [mm]	Box	Outer	Pallet	Box	Outer	Pallet	
FIX-06S	6	50	200	3200	76800	0.74	11.8	314.2	5906675080024
FIX-08S	8	65	100	1600	38400	0.96	15.3	397.1	5906675080925
FIX-10S	10	85	50	800	19200	0.84	13.4	352.2	5906675080826