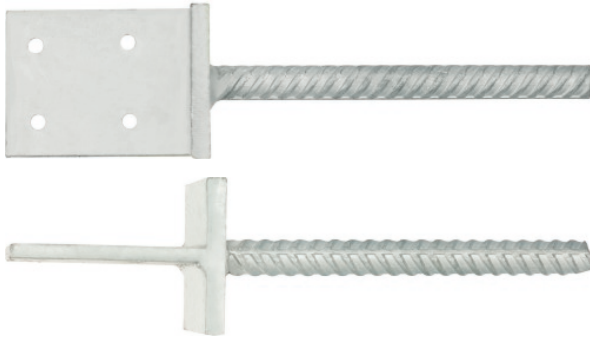


D-TA I-Shaped post base with embedment rebar

I-Shaped post base with embedment rebar for anchoring of wood construction elements in concrete



Product information

Features and benefits

- Anchoring wooden construction elements in concrete base
- Steel sheet thickness: baseplate 10.0 mm, handle 8.0 mm
- Embedment rebar: Ø20
- Hot-dip galvanized for enhanced corrosion resistance

Applications

- Wooden constructions
- Supporting posts
- Wooden decks
- Wooden fences
- Pergolas, bowers, sheds

Base materials

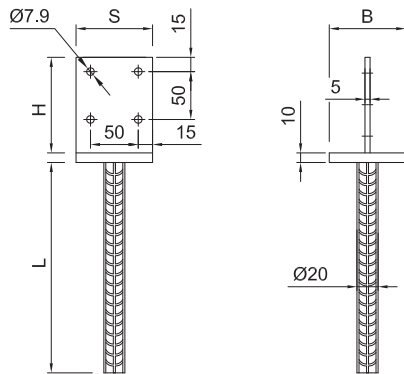
Suitable for use in

- Concrete
- Natural Stone (after site testing)

Installation guide

1. Choose the right size of post base
2. Dig a hole of required diameter and depth
3. Fill the hole with concrete
4. Insert the post base's rebar, correct the position and set firming struts
5. Leave the post base undisturbed meanwhile the concrete is curing
6. Place another element, set the required position and fasten it secure
7. TIP: It is possible to anchor the post base in cured concrete or natural stone using chemical anchors. Please refer to bonded anchor's installation guidelines

Product information



| Product Code | Connector dimensions | | |
|--------------|----------------------|-----|----|
| | Dimensions | | |
| | H | L | B |
| | [mm] | | |
| D-TA-200 | 100 | 200 | 78 |

Product commercial data

| Product Code | Connector dimensions | | | Quantity [pcs] | | | Weight [kg] | | | Bar Codes |
|--------------|----------------------|-----|----|----------------|-------|--------|-------------|-------|--------|---------------|
| | Dimensions [mm] | | | Box | Outer | Pallet | Box | Outer | Pallet | |
| D-TA-200 | 100 | 200 | 78 | 1 | 1 | 190 | 1.55 | 1.55 | 324.9 | 5906675436029 |