

## KC Insulation washer

Insulation washer with integral cap suitable for attachment of insulation layers to wooden and sheet metal substrates.



### Product information

#### Features and benefits

- Recommended for the attachment of ETICS to wooden substrates using UC screws, or to sheet metal using WB screws.
- Special design of integral fastener cap allows reduction of thermal bridges.
- Consistent and reliable holding force
- Quick, simple and clean installation.
- Can be used in combination with additional KWL plate - 90, 110 or 140mm diameter.

#### Applications

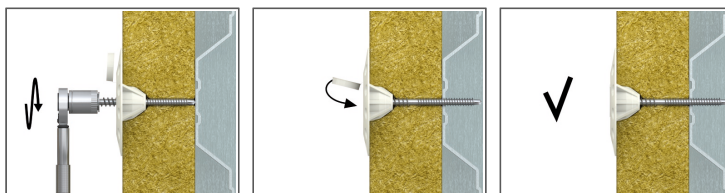
- External Thermal Insulation Composite Systems (ETICS)
- Polystyrene (EPS) boards
- Mineral wool (MW) boards
- Polyurethane (PU) boards

#### Base materials

##### Approved for use in:

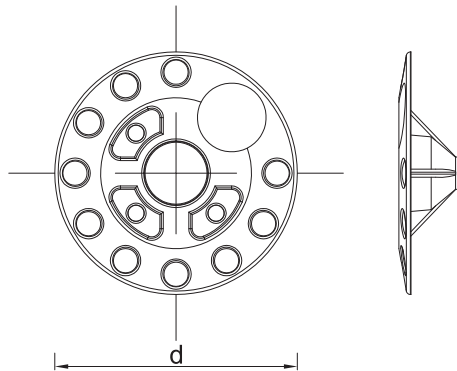
- Metal Sheet & Profiles
- Wood

### Installation guide



1. Lightly insert KC washer into surface of insulation material.
2. Drive the required screw through the washer and insulation material into the substrate, until fixing depth is reached.
3. In wooden substrates the washer is recommended for use with the UC chipboard screw.
4. In sheet metal the washer is recommended for use with either the WB or WX self-drilling screw.

**Product information**



| Size                                      | Product Code  | Fixing         |        |                | Fixture          |
|---|---------------|----------------|--------|----------------|------------------|
|   |               | Screw diameter | Length | Plate diameter | Max. thickness   |
|   |               | d              | L      | D              | t <sub>fix</sub> |
| [mm]                                      |               |                |        |                |                  |
| KC with screw to wood                     |               |                |        |                |                  |
| Ø5  | KC + UC-5050  | 5              | 50     | 60             | 30               |
|   | KC + UC-5060  | 5              | 60     | 60             | 40               |
|   | KC + UC-5070  | 5              | 70     | 60             | 50               |
|   | KC + UC-5080  | 5              | 80     | 60             | 60               |
|   | KC + UC-5090  | 5              | 90     | 60             | 70               |
|   | KC + UC-50100 | 5              | 100    | 60             | 80               |
| Ø6  | KC + UC-60100 | 6              | 100    | 60             | 75               |
|   | KC + UC-60120 | 6              | 120    | 60             | 95               |
|   | KC + UC-60140 | 6              | 140    | 60             | 115              |
|   | KC + UC-60160 | 6              | 160    | 60             | 135              |
|   | KC + UC-60200 | 6              | 200    | 60             | 175              |
| KC with selfdrilling screw to steel sheet |               |                |        |                |                  |
| Ø5  | KC + WB-48100 | 4.8            | 100    | 60             | 90               |
|   | KC + WB-48120 | 4.8            | 120    | 60             | 110              |
|   | KC + WB-48140 | 4.8            | 140    | 60             | 130              |
|   | KC + WB-48160 | 4.8            | 160    | 60             | 150              |
|   | KC + WB-48170 | 4.8            | 170    | 60             | 160              |
|   | KC + WB-48180 | 4.8            | 180    | 60             | 170              |
|   | KC + WB-48200 | 4.8            | 200    | 60             | 190              |
|   | KC + WB-48220 | 4.8            | 220    | 60             | 210              |

**Installation data**

| Substrate                |                  |      | Timber |     | Steel |
|--------------------------|------------------|------|--------|-----|-------|
| Min. installation depth  | h <sub>nom</sub> | [mm] | 20     | 25  | 0.75  |
| Min. substrate thickness | h <sub>min</sub> | [mm] | 20     | 25  | 0.75  |
| Min. spacing             | s <sub>min</sub> | [mm] | 100    | 100 | 100   |
| Min. edge distance       | c <sub>min</sub> | [mm] | 100    | 100 | 100   |
| Fixing diameter          | d                | [mm] | 5      | 6   | 4.8   |

## Basic performance data

Performance data for single anchor without influence of edge distance and spacing

| Substrate                                       |         | Timber    | Timber | Steel |
|---|---------|-----------|--------|-------|
| Effective embedment depth $h_{ef}$              | [mm]    | 20        | 25     | 0.75  |
| <b>MEAN ULTIMATE LOAD <math>N_{Ru,m}</math></b> |         |           |        |       |
| KC + UC $\phi 5$                                | [kN]    | 0.78      | -      | -     |
| KC + UC $\phi 6$                                | [kN]    | -         | 0.98   | -     |
| KC + WB   | [kN]    | -         | -      | 0.86  |
| <b>CHARACTERISTIC LOAD <math>N_{Rk}</math></b>  |         |           |        |       |
| KC + UC $\phi 5$                                | [kN]    | 0.73      | -      | -     |
| KC + UC $\phi 6$                                | [kN]    | -         | 0.91   | -     |
| KC + WB   | [kN]    | -         | -      | 0.81  |
| <b>DESIGN LOAD <math>N_{Rd}</math></b>          |         |           |        |       |
| KC + UC $\phi 5$                                | [kN]    | 0.36      | -      | -     |
| KC + UC $\phi 6$                                | [kN]    | -         | 0.45   | -     |
| KC + WB   | [kN]    | -         | -      | 0.40  |
| <b>RECOMMENDED LOAD <math>N_{rec}</math></b>    |         |           |        |       |
| KC + UC $\phi 5$                                | [kN]    | 0.26      | -      | -     |
| KC + UC $\phi 6$                                | [kN]    | -         | 0.32   | -     |
| KC + WB   | [kN]    | -         | -      | 0.29  |
| <b>Fixing type</b>                              |         | <b>KC</b> |        |       |
| Plate stiffness                                 | [kN/mm] | 0.4       |        |       |

## Product commercial data

| Size | Product Code  | Fixing              |             |                     | Screw Length [mm] | Quantity [pcs] |       |        | Weight [kg] |       |        | Bar Codes     |
|------|---------------|---------------------|-------------|---------------------|-------------------|----------------|-------|--------|-------------|-------|--------|---------------|
|      |               | Screw diameter [mm] | Length [mm] | Plate diameter [mm] |                   | Box            | Outer | Pallet | Box         | Outer | Pallet |               |
| Ø5   | KC + UC-5050  | 5                   | 50          | 60                  |                   |                |       |        |             |       |        |               |
|      | KC + UC-5060  | 5                   | 60          | 60                  |                   |                |       |        |             |       |        |               |
|      | KC + UC-5070  | 5                   | 70          | 60                  |                   |                |       |        |             |       |        |               |
|      | KC + UC-5080  | 5                   | 80          | 60                  |                   |                |       |        |             |       |        |               |
|      | KC + UC-5090  | 5                   | 90          | 60                  |                   |                |       |        |             |       |        |               |
|      | KC + UC-50100 | 5                   | 100         | 60                  |                   |                |       |        |             |       |        |               |
| Ø6   | KC + UC-60100 | 6                   | 100         | 60                  |                   |                |       |        |             |       |        |               |
|      | KC + UC-60120 | 6                   | 120         | 60                  |                   |                |       |        |             |       |        |               |
|      | KC + UC-60140 | 6                   | 140         | 60                  |                   |                |       |        |             |       |        |               |
|      | KC + UC-60160 | 6                   | 160         | 60                  |                   |                |       |        |             |       |        |               |
|      | KC + UC-60200 | 6                   | 200         | 60                  |                   |                |       |        |             |       |        |               |
| Ø5   | KC + WB-48100 | 4.8                 | 100         | 60                  |                   |                |       |        |             |       |        |               |
|      | KC + WB-48120 | 4.8                 | 120         | 60                  |                   |                |       |        |             |       |        |               |
|      | KC + WB-48140 | 4.8                 | 140         | 60                  |                   |                |       |        |             |       |        |               |
|      | KC + WB-48160 | 4.8                 | 160         | 60                  |                   |                |       |        |             |       |        |               |
|      | KC + WB-48170 | 4.8                 | 170         | 60                  |                   |                |       |        |             |       |        |               |
|      | KC + WB-48180 | 4.8                 | 180         | 60                  |                   |                |       |        |             |       |        |               |
|      | KC + WB-48200 | 4.8                 | 200         | 60                  |                   |                |       |        |             |       |        |               |
|      | KC + WB-48220 | 4.8                 | 220         | 60                  |                   |                |       |        |             |       |        |               |
| Ø2.5 | UC-2508       |                     |             |                     | 8                 | 1000           | 24000 |        | 0.37        | 8.9   |        | 5906675312125 |
|      | UC-2510       |                     |             |                     | 10                | 1000           | 24000 | 768000 | 0.32        | 7.7   | 275.8  | 5906675312224 |
|      | UC-2513       |                     |             |                     | 13                | 1000           | 24000 | 768000 | 0.32        | 7.7   | 275.8  | 5906675312323 |
|      | UC-2516       |                     |             |                     | 16                | 1000           | 24000 | 768000 | 0.42        | 10.1  | 352.6  | 5906675312422 |
| Ø3   | UC-3012       |                     |             |                     | 12                | 1000           | 32000 | 768000 | 0.46        | 14.6  | 379.4  | 5906675310220 |
|      | UC-3016       |                     |             |                     | 16                | 1000           | 32000 | 768000 | 0.59        | 19.0  | 485.4  | 5906675310428 |
|      | UC-3020       |                     |             |                     | 20                | 1000           | 32000 | 768000 | 0.67        | 21.5  | 546.9  | 5906675310527 |

Product commercial data

| Size    | Product Code | Fixing              |             |                     | Screw Length [mm] | Quantity [pcs] |        |        | Weight [kg] |       |               | Bar Codes     |
|---------|--------------|---------------------|-------------|---------------------|-------------------|----------------|--------|--------|-------------|-------|---------------|---------------|
|         |              | Screw diameter [mm] | Length [mm] | Plate diameter [mm] |                   | Box            | Outer  | Pallet | Box         | Outer | Pallet        |               |
| Ø3      | UC-3025      |                     |             |                     | 25                | 1000           | 32000  | 768000 | 0.81        | 26.0  | 653.6         | 5906675310626 |
|         | UC-3030      |                     |             |                     | 30                | 1000           | 24000  | 576000 | 0.93        | 22.3  | 564.0         | 5906675310725 |
|         | UC-3035      |                     |             |                     | 35                | 1000           | 16000  | 384000 | 1.08        | 17.3  | 445.1         | 5906675310824 |
|         | UC-3040      |                     |             |                     | 40                | 1000           | 16000  | 384000 | 1.28        | 20.4  | 520.0         | 5906675310923 |
| Ø3.5    | UC-3512      |                     |             |                     | 12                | 1000           | 32000  | 768000 | 0.59        | 18.9  | 483.1         | 5906675311128 |
|         | UC-3516      |                     |             |                     | 16                | 1000           | 32000  | 768000 | 0.73        | 23.3  | 588.3         | 5906675311227 |
|         | UC-3520      |                     |             |                     | 20                | 1000           | 32000  | 768000 | 0.86        | 27.7  | 693.6         | 5906675311425 |
|         | UC-3525      |                     |             |                     | 25                | 1000           | 24000  | 576000 | 1.12        | 26.9  | 675.1         | 5906675311524 |
|         | UC-3530      |                     |             |                     | 30                | 1000           | 16000  | 384000 | 1.27        | 20.2  | 515.8         | 5906675311623 |
|         | UC-3535      |                     |             |                     | 35                | 1000           | 16000  | 384000 | 1.45        | 23.2  | 587.6         | 5906675311722 |
|         | UC-3540      |                     |             |                     | 40                | 1000           | 12000  | 288000 | 1.64        | 19.6  | 501.2         | 5906675311821 |
|         | UC-3545      |                     |             |                     | 45                | 500            | 8000   | 192000 | 0.94        | 15.0  | 389.8         | 5906675311920 |
|         | UC-3550      |                     |             |                     | 50                | 500            | 6000   | 144000 | 1.04        | 12.5  | 330.7         | 5906675312026 |
|         | UC-4016      |                     |             |                     | 16                | 1000           | 16000  | 384000 | 0.96        | 15.3  | 397.5         | 5906675313221 |
|         | UC-4020      |                     |             |                     | 20                | 1000           | 24000  | 576000 | 1.17        | 28.0  | 701.0         | 5906675313429 |
| UC-4025 |              |                     |             | 25                  | 1000              | 16000          | 384000 | 1.42   | 22.7        | 575.3 | 5906675313528 |               |
| UC-4030 |              |                     |             | 30                  | 500               | 8000           | 192000 | 0.83   | 13.2        | 347.2 | 5906675313627 |               |
| UC-4035 |              |                     |             | 35                  | 500               | 12000          | 288000 | 0.93   | 22.4        | 567.4 | 5906675313726 |               |
| UC-4040 |              |                     |             | 40                  | 500               | 8000           | 192000 | 1.06   | 17.0        | 438.6 | 5906675313825 |               |
| UC-4045 |              |                     |             | 45                  | 500               | 8000           | 192000 | 1.18   | 18.8        | 482.0 | 5906675313924 |               |
| UC-4050 |              |                     |             | 50                  | 500               | 6000           | 144000 | 1.31   | 15.8        | 408.4 | 5906675314020 |               |
| UC-4060 |              |                     |             | 60                  | 500               | 6000           | 144000 | 1.50   | 18.0        | 462.6 | 5906675314129 |               |
| UC-4070 |              |                     |             | 70                  | 250               | 3000           | 72000  | 0.91   | 10.9        | 290.9 | 5906675314228 |               |
| UC-4520 |              |                     |             | 20                  | 500               | 9000           | 216000 | 0.82   | 14.8        | 385.6 | 5906675315126 |               |
| UC-4525 |              |                     |             | 25                  | 500               | 9000           | 216000 | 0.99   | 17.8        | 457.3 | 5906675315225 |               |
| UC-4530 |              |                     |             | 30                  | 500               | 12000          | 288000 | 1.04   | 24.9        | 627.9 | 5906675315324 |               |
| UC-4535 |              |                     |             | 35                  | 500               | 8000           | 192000 | 1.25   | 19.9        | 508.1 | 5906675315423 |               |
| UC-4540 |              |                     |             | 40                  | 500               | 8000           | 192000 | 1.48   | 23.6        | 596.8 | 5906675315522 |               |
| UC-4545 |              |                     |             | 45                  | 250               | 6000           | 144000 | 0.75   | 18.1        | 464.3 | 5906675315621 |               |
| UC-4550 |              |                     |             | 50                  | 250               | 4000           | 96000  | 0.87   | 14.0        | 365.6 | 5906675315720 |               |
| UC-4560 |              |                     |             | 60                  | 250               | 4000           | 96000  | 1.00   | 16.0        | 413.6 | 5906675315829 |               |
| UC-4570 |              |                     |             | 70                  | 250               | 3000           | 72000  | 1.20   | 14.4        | 375.6 | 5906675315928 |               |
| UC-5020 |              |                     |             | 20                  | 500               | 16000          | 384000 | 1.02   | 32.6        | 813.4 | 5906675316123 |               |
| UC-5025 |              |                     |             | 25                  | 500               | 12000          | 288000 | 1.11   | 26.7        | 669.9 | 5906675316222 |               |
| UC-5030 |              |                     |             | 30                  | 500               | 8000           | 192000 | 1.33   | 21.3        | 542.3 | 5906675316321 |               |
| UC-5035 |              |                     |             | 35                  | 500               | 8000           | 192000 | 1.52   | 24.3        | 612.1 | 5906675316420 |               |
| UC-5040 |              |                     |             | 40                  | 250               | 4000           | 96000  | 0.84   | 13.5        | 353.7 | 5906675316529 |               |
| UC-5045 |              |                     |             | 45                  | 250               | 6000           | 144000 | 0.97   | 23.4        | 590.4 | 5906675316628 |               |
| UC-5050 |              |                     |             | 50                  | 200               | 3200           | 76800  | 0.89   | 14.2        | 369.8 | 5906675316727 |               |
| UC-5060 |              |                     |             | 60                  | 200               | 2400           | 57600  | 1.03   | 12.3        | 325.2 | 5906675316826 |               |
| UC-5070 |              |                     |             | 70                  | 200               | 2400           | 57600  | 1.17   | 14.1        | 367.2 | 5906675316925 |               |
| UC-5080 |              |                     |             | 80                  | 100               | 1600           | 38400  | 0.67   | 10.7        | 286.5 | 5906675317021 |               |
| UC-5090 |              |                     |             | 90                  | 100               | 2400           | 57600  | 0.71   | 17.0        | 437.8 | 5906675317120 |               |
| UC-5100 |              |                     |             | 100                 | 100               | 1600           | 38400  | 0.84   | 13.5        | 353.7 | 5906675317229 |               |
| UC-6030 |              |                     |             | 30                  | 200               | 6400           | 153600 | 0.82   | 26.4        | 662.8 | 5906675318127 |               |
| UC-6040 |              |                     |             | 40                  | 200               | 4800           | 115200 | 1.06   | 25.5        | 642.9 | 5906675318325 |               |
| UC-6045 |              |                     |             | 45                  | 200               | 3600           | 86400  | 1.16   | 20.9        | 531.1 | 5906675318424 |               |
| UC-6050 |              |                     |             | 50                  | 200               | 3200           | 76800  | 1.28   | 20.5        | 522.7 | 5906675318523 |               |
| UC-6060 |              |                     |             | 60                  | 200               | 2400           | 57600  | 1.50   | 18.0        | 462.3 | 5906675318622 |               |
| UC-6070 |              |                     |             | 70                  | 100               | 2400           | 57600  | 0.86   | 20.7        | 527.1 | 5906675318721 |               |
| UC-6080 |              |                     |             | 80                  | 100               | 2400           | 57600  | 0.98   | 23.5        | 594.5 | 5906675318820 |               |
| UC-6090 |              |                     |             | 90                  | 100               | 1200           | 28800  | 1.08   | 13.0        | 341.0 | 5906675318929 |               |
| UC-6100 |              |                     |             | 100                 | 100               | 1200           | 28800  | 1.20   | 14.4        | 375.6 | 5906675319025 |               |

Product commercial data

| Size | Product Code | Fixing              |             |                     | Screw Length [mm] | Quantity [pcs] |       |        | Weight [kg] |       |        | Bar Codes     |
|------|--------------|---------------------|-------------|---------------------|-------------------|----------------|-------|--------|-------------|-------|--------|---------------|
|      |              | Screw diameter [mm] | Length [mm] | Plate diameter [mm] |                   | Box            | Outer | Pallet | Box         | Outer | Pallet |               |
| Ø6   | UC-6110      |                     |             |                     | 110               | 100            | 1200  | 28800  | 1.31        | 15.8  | 408.1  | 5906675319124 |
|      | UC-6120      |                     |             |                     | 120               | 100            | 1200  | 28800  | 1.42        | 17.1  | 439.2  | 5906675319223 |
|      | UC-6140      |                     |             |                     | 140               | 100            | 1200  | 28800  | 1.64        | 19.7  | 502.0  | 5906675319421 |
|      | UC-6160      |                     |             |                     | 160               | 100            | 1200  | 28800  | 1.87        | 22.4  | 567.4  | 5906675319520 |
|      | UC-6200      |                     |             |                     | 200               | 100            | 800   | 19200  | 2.3         | 18.4  | 472.2  | 5906675319629 |
| Ø3   | UCK-3012     |                     |             |                     | 12                | 10             | 10    | 720    | 10.3        | 10.3  | 770.2  | 5906675166261 |
| Ø3.5 | UCK-3545     |                     |             |                     | 45                | 10             | 10    | 360    | 10.4        | 10.4  | 405.8  | 5906675166520 |
| Ø4.5 | UCK-4525     |                     |             |                     | 25                | 10             | 10    | 480    | 10.1        | 10.1  | 515.9  | 5906675166780 |
| Ø5   | UCK-5020     |                     |             |                     | 20                | 10             | 10    | 480    | 10.3        | 10.3  | 525.0  | 5906675167541 |
| Ø6   | UCK-6030     |                     |             |                     | 30                | 10             | 10    | 720    | 10.1        | 10.1  | 756.1  | 5906675288376 |
|      | UCK-6110     |                     |             |                     | 110               | 10             | 10    | 720    | 10.4        | 10.4  | 775.6  | 5906675291895 |
| Ø4   | UC-4080      |                     |             |                     | 80                | 100            | 3200  | 76800  | 1.16        | 37.1  | 920.9  | 5906675314426 |
| Ø4.5 | UC-4580      |                     |             |                     | 80                | 100            | 3200  | 76800  | 0.55        | 17.5  | 449.3  | 5906675315027 |
| Ø5   | UC-5120      |                     |             |                     | 120               | 100            | 2400  | 57600  | 0.92        | 22.1  | 559.9  | 5906675317328 |
| Ø6   | UC-6130      |                     |             |                     | 130               | 100            | 1200  | 28800  | 1.53        | 18.3  | 470.1  | 5906675319322 |
|      | UC-6150      |                     |             |                     | 150               | 100            | 1200  | 28800  | 1.73        | 20.8  | 528.2  | 5906675319827 |
|      | UC-6180      |                     |             |                     | 180               | 100            | 800   | 19200  | 2.1         | 16.8  | 433.2  | 5906675319728 |
| Ø3   | UCK-3016     |                     |             |                     | 16                | 10             | 10    | 360    | 10.3        | 10.3  | 400.7  | 5906675166285 |
|      | UCK-3020     |                     |             |                     | 20                | 10             | 10    | 480    | 10.0        | 10.0  | 510.0  | 5906675166308 |
|      | UCK-3030     |                     |             |                     | 30                | 10             | 10    | 720    | 10.3        | 10.3  | 772.2  | 5906675166346 |
|      | UCK-3040     |                     |             |                     | 40                | 10             | 10    | 720    | 10.3        | 10.3  | 774.6  | 5906675166384 |
| Ø3.5 | UCK-3516     |                     |             |                     | 16                | 10             | 10    | 480    | 10.3        | 10.3  | 524.0  | 5906675166407 |
|      | UCK-3520     |                     |             |                     | 20                | 10             | 10    | 480    | 10.3        | 10.3  | 523.4  | 5906675166421 |
|      | UCK-3530     |                     |             |                     | 30                | 10             | 10    | 600    | 10.3        | 10.3  | 648.6  | 5906675166469 |
|      | UCK-3535     |                     |             |                     | 35                | 10             | 10    | 480    | 10.3        | 10.3  | 526.2  | 5906675166483 |
|      | UCK-3540     |                     |             |                     | 40                | 10             | 10    | 720    | 10.3        | 10.3  | 773.1  | 5906675166506 |
|      | UCK-3550     |                     |             |                     | 50                | 10             | 10    | 360    | 10.4        | 10.4  | 404.2  | 5906675166544 |
| Ø4   | UCK-4016     |                     |             |                     | 16                | 10             | 10    | 480    | 10.3        | 10.3  | 525.0  | 5906675166568 |
|      | UCK-4020     |                     |             |                     | 20                | 10             | 10    | 720    | 10.3        | 10.3  | 772.2  | 5906675166582 |
|      | UCK-4035     |                     |             |                     | 35                | 10             | 10    | 720    | 10.3        | 10.3  | 771.8  | 5906675166643 |
|      | UCK-4040     |                     |             |                     | 40                | 10             | 10    | 480    | 10.3        | 10.3  | 525.4  | 5906675166667 |
|      | UCK-4045     |                     |             |                     | 45                | 10             | 10    | 720    | 10.3        | 10.3  | 772.3  | 5906675166681 |
|      | UCK-4050     |                     |             |                     | 50                | 10             | 10    | 720    | 10.3        | 10.3  | 772.9  | 5906675166704 |
|      | UCK-4060     |                     |             |                     | 60                | 10             | 10    | 720    | 10.4        | 10.4  | 776.6  | 5906675166728 |
|      | UCK-4070     |                     |             |                     | 70                | 10             | 10    | 360    | 10.3        | 10.3  | 401.6  | 5906675166742 |
| Ø4.5 | UCK-4520     |                     |             |                     | 20                | 10             | 10    | 360    | 10.2        | 10.2  | 395.8  | 5906675166766 |
|      | UCK-4530     |                     |             |                     | 30                | 10             | 10    | 720    | 11.4        | 11.4  | 849.6  | 5906675166803 |
|      | UCK-4535     |                     |             |                     | 35                | 10             | 10    | 720    | 10.4        | 10.4  | 777.0  | 5906675020778 |
|      | UCK-4540     |                     |             |                     | 40                | 10             | 10    | 720    | 10.4        | 10.4  | 778.6  | 5906675166827 |
|      | UCK-4545     |                     |             |                     | 45                | 10             | 10    | 720    | 10.3        | 10.3  | 772.2  | 5906675166841 |
|      | UCK-4550     |                     |             |                     | 50                | 10             | 10    | 480    | 10.4        | 10.4  | 531.0  | 5906675166865 |
|      | UCK-4560     |                     |             |                     | 60                | 10             | 10    | 360    | 10.4        | 10.4  | 402.6  | 5906675166889 |
|      | UCK-4570     |                     |             |                     | 70                | 10             | 10    | 720    | 10.3        | 10.3  | 774.8  | 5906675166902 |
| Ø5   | UCK-4580     |                     |             |                     | 80                | 10             | 10    | 720    | 10.4        | 10.4  | 777.6  | 5906675014753 |
|      | UCK-5025     |                     |             |                     | 25                | 10             | 10    | 440    | 10.4        | 10.4  | 485.9  | 5906675167565 |
|      | UCK-5030     |                     |             |                     | 30                | 10             | 10    | 600    | 10.3        | 10.3  | 647.1  | 5906675167589 |
|      | UCK-5035     |                     |             |                     | 35                | 10             | 10    | 480    | 10.4        | 10.4  | 527.5  | 5906675167602 |
|      | UCK-5040     |                     |             |                     | 40                | 10             | 10    | 480    | 10.4        | 10.4  | 528.1  | 5906675167626 |
|      | UCK-5045     |                     |             |                     | 45                | 10             | 10    | 480    | 10.3        | 10.3  | 524.7  | 5906675167640 |
|      | UCK-5050     |                     |             |                     | 50                | 10             | 10    | 480    | 10.3        | 10.3  | 525.1  | 5906675167664 |
|      | UCK-5060     |                     |             |                     | 60                | 10             | 10    | 480    | 10.4        | 10.4  | 528.7  | 5906675167688 |
| Ø5   | UCK-5070     |                     |             |                     | 70                | 10             | 10    | 360    | 10.4        | 10.4  | 403.0  | 5906675167701 |
|      | UCK-5080     |                     |             |                     | 80                | 10             | 10    | 360    | 10.4        | 10.4  | 403.0  | 5906675167725 |

Product commercial data

| Size | Product Code | Fixing              |             |                     | Screw Length [mm] | Quantity [pcs] |       |        | Weight [kg] |       |        | Bar Codes     |
|------|--------------|---------------------|-------------|---------------------|-------------------|----------------|-------|--------|-------------|-------|--------|---------------|
|      |              | Screw diameter [mm] | Length [mm] | Plate diameter [mm] |                   | Box            | Outer | Pallet | Box         | Outer | Pallet |               |
| Ø5   | UCK-5090     |                     |             |                     | 90                | 10             | 10    | 720    | 10.3        | 10.3  | 772.6  | 5906675015972 |
|      | UCK-5100     |                     |             |                     | 100               | 10             | 10    | 360    | 10.4        | 10.4  | 402.9  | 5906675167749 |
| Ø6   | UCK-6040     |                     |             |                     | 40                | 10             | 10    | 480    | 10.3        | 10.3  | 524.2  | 5906675167763 |
|      | UCK-6050     |                     |             |                     | 50                | 10             | 10    | 720    | 10.3        | 10.3  | 771.4  | 5906675375366 |
|      | UCK-6060     |                     |             |                     | 60                | 10             | 10    | 480    | 10.3        | 10.3  | 525.2  | 5906675167800 |
|      | UCK-6070     |                     |             |                     | 70                | 10             | 10    | 480    | 10.4        | 10.4  | 527.8  | 5906675167824 |
|      | UCK-6080     |                     |             |                     | 80                | 10             | 10    | 360    | 10.4        | 10.4  | 403.6  | 5906675167848 |
|      | UCK-6100     |                     |             |                     | 100               | 10             | 10    | 360    | 10.4        | 10.4  | 403.8  | 5906675167886 |
|      | UCK-6120     |                     |             |                     | 120               | 10             | 10    | 360    | 10.4        | 10.4  | 402.9  | 5906675167909 |
|      | UCK-6130     |                     |             |                     | 130               | 10             | 10    | 720    | 10.4        | 10.4  | 775.0  | 5906675375373 |
|      | UCK-6140     |                     |             |                     | 140               | 10             | 10    | 600    | 10.4        | 10.4  | 656.1  | 5906675001906 |
|      | UCK-6160     |                     |             |                     | 160               | 10             | 10    | 360    | 10.4        | 10.4  | 403.2  | 5906675264066 |
| Ø3   | UCK-3025     |                     |             |                     | 25                | 10             | 10    | 480    | 10.4        | 10.4  | 527.5  | 5906675166322 |
|      | UCK-3035     |                     |             |                     | 35                | 10             | 10    | 720    | 10.4        | 10.4  | 775.6  | 5906675166360 |
| Ø3.5 | UCK-3525     |                     |             |                     | 25                | 10             | 10    | 720    | 10.3        | 10.3  | 769.9  | 5906675166445 |
| Ø4   | UCK-4025     |                     |             |                     | 25                | 10             | 10    | 720    | 10.3        | 10.3  | 771.2  | 5906675166605 |
|      | UCK-4030     |                     |             |                     | 30                | 10             | 10    | 720    | 10.3        | 10.3  | 772.5  | 5906675166629 |
| Ø6   | UCK-6090     |                     |             |                     | 90                | 10             | 10    | 480    | 10.4        | 10.4  | 526.7  | 5906675167862 |
| Ø4.8 | WX-48050     |                     |             |                     | 50                | 250            | 3000  | 72000  | 1.20        | 14.4  | 375.7  | 5906675221229 |
|      | WX-48060     |                     |             |                     | 60                | 250            | 3000  | 72000  | 1.43        | 17.2  | 443.1  | 5906675221328 |
|      | WX-48070     |                     |             |                     | 70                | 250            | 3000  | 72000  | 1.73        | 20.7  | 527.0  | 5906675221427 |
|      | WX-48080     |                     |             |                     | 80                | 250            | 3000  | 72000  | 1.85        | 22.2  | 562.6  | 5906675221526 |
|      | WX-48100     |                     |             |                     | 100               | 200            | 2400  | 57600  | 1.88        | 22.6  | 572.3  | 5906675221625 |
|      | WX-48120     |                     |             |                     | 120               | 200            | 2400  | 57600  | 2.3         | 27.4  | 684.5  | 5906675221724 |
|      | WX-48140     |                     |             |                     | 140               | 200            | 2400  | 57600  | 2.7         | 31.8  | 793.7  | 5906675221823 |
|      | WX-48160     |                     |             |                     | 160               | 100            | 1200  | 28800  | 2.9         | 34.8  | 865.2  | 5906675221922 |
|      | WX-48180     |                     |             |                     | 180               | 100            | 800   | 19200  | 1.75        | 14.0  | 366.8  | 5906675222028 |
|      | WX-48200     |                     |             |                     | 200               | 100            | 800   | 19200  | 3.2         | 25.9  | 652.1  | 5906675223124 |
|      | WX-48240     |                     |             |                     | 240               | 100            | 500   | 16800  | 2.8         | 13.8  | 493.7  | 5906675490328 |
|      | WX-48300     |                     |             |                     | 300               | 100            | 500   | 16800  | 2.8         | 14.1  | 502.4  | 5906675223223 |
|      | WO-48060     |                     |             |                     | 60                | 250            | 4000  | 96000  | 1.35        | 21.6  | 548.4  | 5906675222127 |
|      | WO-48080     |                     |             |                     | 80                | 250            | 3000  | 72000  | 1.63        | 19.5  | 498.0  | 5906675222226 |
|      | WO-48100     |                     |             |                     | 100               | 200            | 2400  | 57600  | 1.86        | 22.3  | 564.8  | 5906675222325 |
|      | WO-48120     |                     |             |                     | 120               | 200            | 3200  | 76800  | 2.0         | 32.0  | 798.0  | 5906675222424 |
|      | WO-48140     |                     |             |                     | 140               | 200            | 2400  | 57600  | 2.7         | 31.8  | 793.2  | 5906675222523 |
|      | WO-48160     |                     |             |                     | 160               | 100            | 1200  | 28800  | 1.50        | 18.0  | 461.5  | 5906675222622 |
|      | WO-48180     |                     |             |                     | 180               | 100            | 100   | 16800  | 1.67        | 1.67  | 310.7  | 5906675222721 |
|      | WO-48200     |                     |             |                     | 200               | 100            | 100   | 16800  | 2.0         | 2.0   | 365.0  | 5906675222820 |
|      | WO-48240     |                     |             |                     | 240               | 100            | 500   | 28800  | 2.2         | 10.9  | 657.7  | 5906675221021 |
|      | WO-48300     |                     |             |                     | 300               | 100            | 500   | 15000  | 2.7         | 13.5  | 435.0  | 5906675222929 |
| Ø6.1 | R-WBT-61050  |                     |             |                     | 50                | 100            | 3200  | 76800  | 0.79        | 25.2  | 634.4  | 5906675101200 |
|      | R-WBT-61075  |                     |             |                     | 75                | 100            | 1600  | 38400  | 1.11        | 17.7  | 454.3  | 5906675101231 |
|      | R-WBT-61090  |                     |             |                     | 90                | 100            | 1600  | 38400  | 1.34        | 21.4  | 543.8  | 5906675101309 |
|      | R-WBT-61100  |                     |             |                     | 100               | 100            | 1600  | 38400  | 1.49        | 23.9  | 602.5  | 5906675101408 |
|      | R-WBT-61120  |                     |             |                     | 120               | 100            | 1200  | 28800  | 1.77        | 21.3  | 540.9  | 5906675101439 |
|      | R-WBT-61140  |                     |             |                     | 140               | 100            | 1200  | 28800  | 2.0         | 24.5  | 618.7  | 5906675101460 |
|      | R-WBT-61160  |                     |             |                     | 160               | 100            | 1200  | 28800  | 2.3         | 28.1  | 704.2  | 5906675101514 |
|      | R-WBT-61180  |                     |             |                     | 180               | 100            | 100   | 16800  | 2.7         | 2.7   | 477.9  | 5906675225173 |
|      | R-WBT-61200  |                     |             |                     | 200               | 100            | 100   | 16800  | 2.9         | 2.9   | 518.5  | 5906675101927 |
|      | R-WBT-61220  |                     |             |                     | 220               | 100            | 100   | 16800  | 3.2         | 3.2   | 568.4  | 5906675102214 |
|      | R-WBT-61240  |                     |             |                     | 240               | 100            | 100   | 16800  | 3.5         | 3.5   | 620.7  | 5906675102245 |
|      | R-WBT-61260  |                     |             |                     | 260               | 100            | 100   | 16800  | 3.8         | 3.8   | 661.7  | 5906675102269 |
|      | R-WBT-61300  |                     |             |                     | 300               | 100            | 100   | 7800   | 4.3         | 4.3   | 367.0  | 5906675102290 |

## Product commercial data

| Size | Product Code | Fixing              |             |                     | Screw       | Quantity [pcs] |       |        | Weight [kg] |       |        | Bar Codes     |
|------|--------------|---------------------|-------------|---------------------|-------------|----------------|-------|--------|-------------|-------|--------|---------------|
|      |              | Screw diameter [mm] | Length [mm] | Plate diameter [mm] | Length [mm] | Box            | Outer | Pallet | Box         | Outer | Pallet |               |
| Ø6.1 | WBT-61120-ZN |                     |             |                     | 100         | 100            | 1200  | 28800  | 1.76        | 21.2  | 538.1  | 5906675116952 |