

D-SP-P Rafter twist straps - right

Right rafter twist strap for connecting wood construction elements



Approvals and Reports

- ETA-12/0523



Product information

Features and benefits

- Connection of wooden construction elements
- Steel sheet thickness: 2.0 mm
- Zinc electroplated for enhanced corrosion resistance
- Anti-corrosion coating thickness min. 8µm

Applications

- Wooden roof constructions
- Rafter fastening to the purlins
- Pergolas, bowers, sheds

Base materials

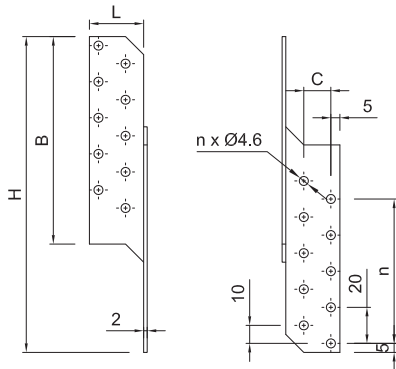
Approved for use in:

- Timber

Installation guide

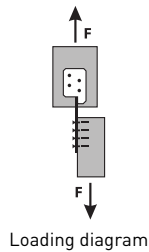
1. Choose the right size of wood connector
2. Set the connector in required place and position
3. Fasten the connector using anchor nails or adequate screws

Product information



Product Code	Connector dimensions				Number of holes	
	Dimensions			C	per row	Ø4.6
	H	L	B			
[mm]						
D-SP-170P	170	30	115	15	5	2 x 10
D-SP-210P	210	30	155	15	7	2 x 14
D-SP-250P	250	30	180	15	9	2 x 18
D-SP-290P	290	30	220	15	11	2 x 22
D-SP-370P	370	40	300	20	15	2 x 30

Basic performance data



Loading diagram

Product Code	Load resistance		
	Characteristic	Design	Recommended
	[kN]	[kN]	[kN]
D-SP-170P	20.85	6.80	4.80
D-SP-210P	20.85	6.80	4.80
D-SP-250P	20.85	6.80	4.80
D-SP-290P	20.85	6.80	4.80
D-SP-370P	20.85	6.80	4.80

Product commercial data

Product Code	Connector dimensions				Quantity [pcs]			Weight [kg]			Bar Codes
	Dimensions [mm]			C [mm]	Box	Outer	Pallet	Box	Outer	Pallet	
D-SP-170P ¹⁾	170	30	115	15	80	80	6400	7.3	7.3	609.8	5906675451121
D-SP-210P ¹⁾	210	30	155	15	50	50	4000	6.2	6.2	525.2	5906675451220
D-SP-250P ¹⁾	250	30	180	15	40	40	2160	6.3	6.3	369.1	5906675451329
D-SP-290P ¹⁾	290	30	220	15	30	30	1620	5.8	5.8	343.1	5906675451428
D-SP-370P ¹⁾	370	40	300	20	20	20	2240	5.4	5.4	634.8	5906675451626

1) ETA-12/0523