

## D-KB Unequal length angle brackets

Unequal length angle bracket for connecting of wood construction elements



### Approvals and Reports

- ETA-12/0523



### Product information

#### Features and benefits

- Connection of wooden construction elements
- Steel sheet thickness: 2.5 mm, 4.0 mm, 5.0 mm
- Zinc electroplated for enhanced corrosion resistance
- Anti-corrosion coating thickness min. 8µm

#### Applications

- Wooden constructions
- Wooden fences
- Window ledge supports
- Shelving reinforcement
- Counter brackets
- Pergolas, bowers, sheds

#### Base materials

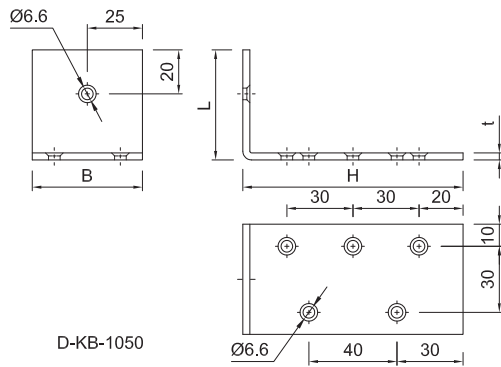
##### Approved for use in:

- Timber

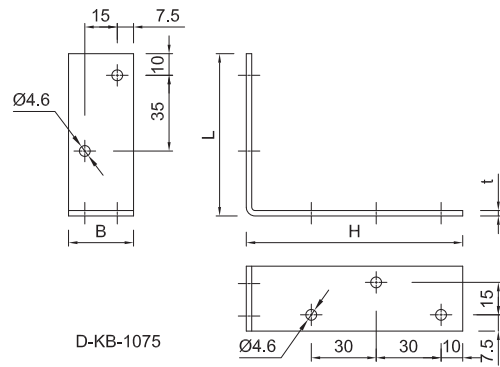
### Installation guide

1. Choose the right size of wood connector
2. Set the connector in required place and position
3. Fasten the connector using anchor nails or adequate screws
4. Place another element and fasten it secure

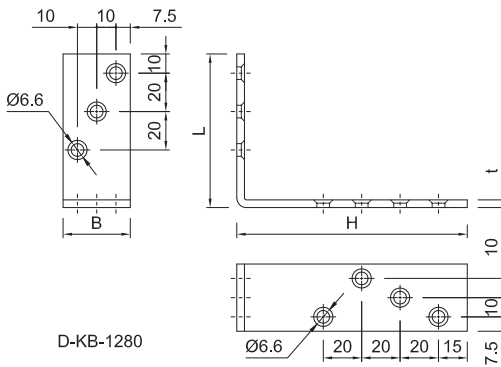
**Product information**



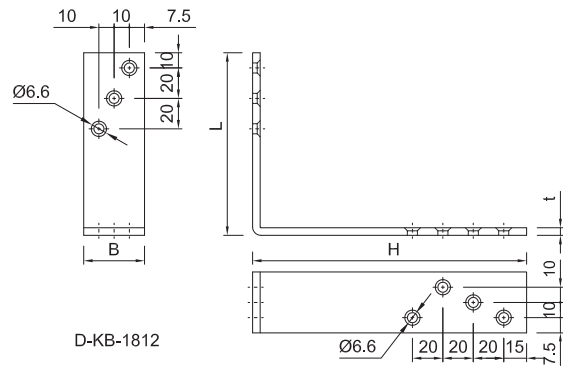
D-KB-1050



D-KB-1075



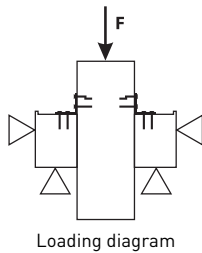
D-KB-1280



D-KB-1812

Product Code	Connector dimensions				Number of holes	
	Thickness	Dimensions			Ø4.6	Ø6.6
	t	B	H	L		
[mm]						
D-KB-1075	2.5	30	100	75	3 + 2	-
D-KB-1050	4	50	100	50	-	5 + 1
D-KB-1280	4	35	120	80	-	4 + 1
D-KB-1812	5	40	180	120	-	4 + 3

**Basic performance data**



Product Code	Load resistance		
	Characteristic	Design	Recommended
	[kN]	[kN]	[kN]
D-KB-1075	6.43	2.10	2.90
D-KB-1050	19.89	6.50	4.60
D-KB-1280	17.22	5.60	4.00
D-KB-1812	17.22	5.60	4.00

**Product commercial data**

Product Code	Connector dimensions			Quantity [pcs]			Weight [kg]			Bar Codes
	Dimensions [mm]			Box	Outer	Pallet	Box	Outer	Pallet	
D-KB-1075 <sup>1)</sup>	30	100	75	70	70	3780	6.9	6.9	400.1	5906675404622
D-KB-1050 <sup>1)</sup>	50	100	50	30	30	1620	6.8	6.8	395.3	5906675404523
D-KB-1280 <sup>1)</sup>	35	120	80	30	30	1620	6.2	6.2	363.9	5906675404721
D-KB-1812 <sup>1)</sup>	40	180	120	15	15	810	6.7	6.7	389.0	5906675404820

1) ETA-12/0523