

K-KFS Counterbore cutter

Cutter accessory for counterbored installation of hammer-in facade insulation fixings



Product information

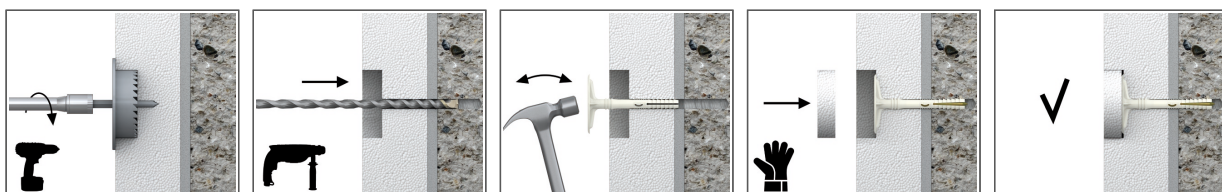
Features and benefits

- Precise tool construction allows to cut polystyrene, polyurethane and mineral wool boards
- Countersunk installation (with post-installed insulation cap) reduces heat transmission and results in a homogenous insulation surface.
- Cost-saving solution, as countersunk installation allows selection of shorter fixings.

Applications

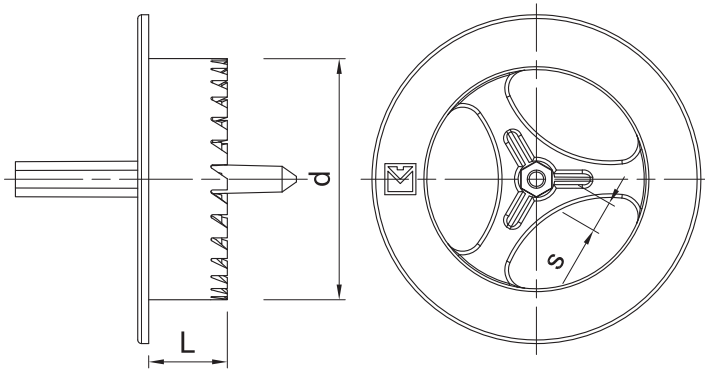
- External Thermal Insulation Composite Systems (ETICS)
- Polystyrene (EPS) boards
- Polyurethane (PU) boards
- Mineral wool (MW) boards

Installation guide



1. Cut the hole in insulation board
2. Insert cap into countersunk hole in insulation board following installation of the facade fixing

Product information



Size	Product Code	Milling depth		Rivet	
		L		Head size	
		[mm]		S _w	
Ø63	K-KFS-63/20	20		10	
	K-KFS-63/20-M	20		10	
	K-KFS-63/20-T	20		10	

Product commercial data

Size	Product Code	Quantity [pcs]			Weight [kg]			Bar Codes
		Box	Outer	Pallet	Box	Outer	Pallet	
Ø63	K-KFS-63/20	1	16	384	0.07	1.15	57.6	5906675422114
	K-KFS-63/20-M	1	1	2000	0.25	0.25	530.0	5906675472836
	K-KFS-63/20-T	1	1	2000	0.25	0.25	530.0	5906675422138