

POK-041-ALZN + WBT Roofing fixing system

The shape washers allows for trouble-free installation using a dedicated rigid mounting screws for hard roof insulation



Approvals and Reports

- ETA-09/0346



Product information

Features and benefits

- Round washer made of aluminum and zinc sheet, which ensures a very high resistance against corrosion. Its sculpted shape allows for trouble-free installation using a dedicated rigid mounting screws for hard roof insulation.
- Hardened screw's thread surface. High quality anti-corrosion coating guarantees resistance of 15 Kesternich cycles.
- The shape and type of screw's thread is designed specifically for connecting to concrete and wood. The drill point is designed to provide a fast and hassle-free installation. Sharp point of the drill prevents movement of the surface of the fixture.

Applications

- Systems of mechanically fastened flexible roof waterproofing membrane

Base materials

Approved for use in:

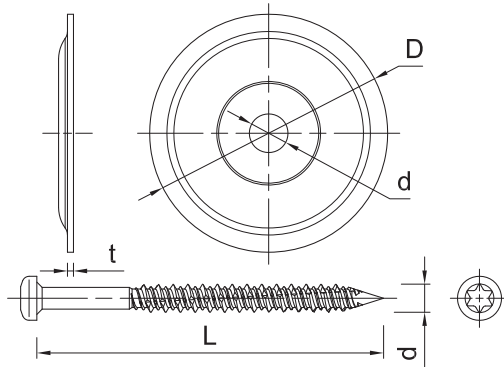
- Concrete
- Concrete Slab
- Timber

Installation guide



1. Drill the hole of required diameter and depth (where applicable)
2. Position POK washer on insulation and insert: WBT screw
3. Using drilling machine, drive the screw into substrate until fixing depth is reached

Product information



Product Code	Screw		Aluminum washer		
	Diameter	Length	Hole diameter	Plate diameter	Thickness
	d	L	d	D	t
	[mm]	[mm]	[mm]	[mm]	[mm]
R-WBT-61050	6.1	50	-	-	-
R-WBT-61075	6.1	75	-	-	-
R-WBT-61090	6.1	90	-	-	-
R-WBT-61100	6.1	100	-	-	-
R-WBT-61120	6.1	120	-	-	-
R-WBT-61140	6.1	140	-	-	-
R-WBT-61160	6.1	160	-	-	-
R-WBT-61180	6.1	180	-	-	-
R-WBT-61200	6.1	200	-	-	-
R-WBT-61220	6.1	220	-	-	-
R-WBT-61240	6.1	240	-	-	-
R-WBT-61260	6.1	260	-	-	-
R-WBT-61300	6.1	300	-	-	-
R-POK-041-ALZN	-	-	6.5	40	0.7

Installation data

Substrate			Concrete C20/25	Thin-walled slab C16/20	Timber
Hole diameter in substrate	d_0	[mm]	5	5	-
Min. hole depth in substrate	h_0	[mm]	35	25	-
Min. installation depth	h_{nom}	[mm]	30	20	30
Min. substrate thickness	h_{min}	[mm]	35	30	30
Min. spacing	s_{min}	[mm]	120	120	120
Min. edge distance	c_{min}	[mm]	30	30	50
Screw drive	-	[-]	TX25	TX25	TX25
Screw diameter	d	[mm]	6.1	6.1	6.1

Basic performance data

Size		Concrete C12/15	Concrete C20/25	Thin-walled slab C16/20	Timber, grade C24
Effective embedment depth h_{ef}	[mm]	30.00	30.00	20.00	30.00
MEAN ULTIMATE LOAD					
POK-041 + WBT	[kN]	-	-	-	-
CHARACTERISTIC LOAD					
POK-041 + WBT	[kN]	3.84	3.84	1.85	1.59
DESIGN LOAD					
POK-041 + WBT	[kN]	1.92	1.92	0.76	0.80

Basic performance data

Size		Concrete C12/15	Concrete C20/25	Thin-walled slab C16/20	Timber, grade C24
RECOMMENDED LOAD					
POK-041 + WBT	[kN]	1.37	1.37	0.54	0.57

Design performance data

Size			Concrete C12/15	Concrete C20/25	Thin-walled slab C16/20	Timber, grade C24
Effective embedment depth	h_{ef}	[mm]	30	30	20	30
TENSION LOAD						
PULL-OUT FAILURE						
Characteristic resistance	$N_{Rk,p}$	[kN]	3.84	3.84	1.85	1.59
Design resistance $\gamma_M^{-1} \cdot *$	$N_{Rd,p}$	[kN]	1.92	1.92	0.76	0.80

Product commercial data

Size	Product Code	Screw	Aluminum washer		Quantity [pcs]			Weight [kg]			Bar Codes
		Length [mm]	Hole diameter [mm]	Plate diameter [mm]	Box	Outer	Pallet	Box	Outer	Pallet	
Ø6.1	R-WBT-61050 ¹⁾	50			100	3200	76800	0.79	25.2	634.4	5906675101200
	R-WBT-61075 ¹⁾	75			100	1600	38400	1.11	17.7	454.3	5906675101231
	R-WBT-61090 ¹⁾	90			100	1600	38400	1.34	21.4	543.8	5906675101309
	R-WBT-61100 ¹⁾	100			100	1600	38400	1.49	23.9	602.5	5906675101408
	R-WBT-61120 ¹⁾	120			100	1200	28800	1.77	21.3	540.9	5906675101439
	R-WBT-61140 ¹⁾	140			100	1200	28800	2.0	24.5	618.7	5906675101460
	R-WBT-61160 ¹⁾	160			100	1200	28800	2.3	28.1	704.2	5906675101514
	R-WBT-61180 ¹⁾	180			100	100	16800	2.7	2.7	477.9	5906675225173
	R-WBT-61200 ¹⁾	200			100	100	16800	2.9	2.9	518.5	5906675101927
	R-WBT-61220 ¹⁾	220			100	100	16800	3.2	3.2	568.4	5906675102214
	R-WBT-61240 ¹⁾	240			100	100	16800	3.5	3.5	620.7	5906675102245
	R-WBT-61260 ¹⁾	260			100	100	16800	3.8	3.8	661.7	5906675102269
	R-WBT-61300 ¹⁾	300			100	100	7800	4.3	4.3	367.0	5906675102290
	R-POK-041-ALZN ¹⁾		6.5	40	100	1200	48000	1.05	12.6	534.0	5906675102559

1) ETA-09/0346