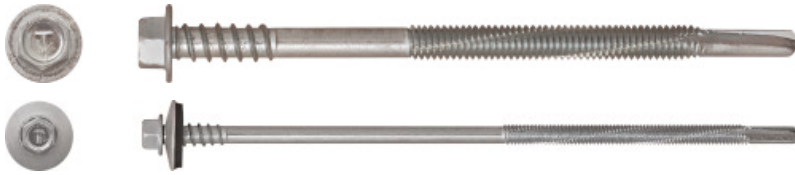


## ON-55/63 Self-drilling screws for composite panels max 12mm

The special drill bit shape designed to provide quick and trouble-free installation in metal constructions made from hot rolled sections



### Approvals and Reports

- ETA-13/0453



According to colorsystems:

RAL

### Product information

#### Features and benefits

- Coloured polyester protective coating with a thickness of 45-50 um (RAL, NCS, RR), provides additional protection against corrosion. Various colours available to suit all metal sheet variants. UV stabilizers ensure colour quality over a long period of use.
- Hardened surface of the thread (flexible core). Corrosion resistant zinc coating of thickness not less than 12 um.
- The shape of the thread and its height is designed for applications into sandwich panels and steel construction.
- Two types of threads: one designed for mounting into a steel structure, second under head thread, prevents external panel dents and helps to seal the connection.
- The drill bit is designed to provide quick and trouble-free installation in the steel. Sharp point of the drill prevents movement of the surface of the fixture.

#### Applications

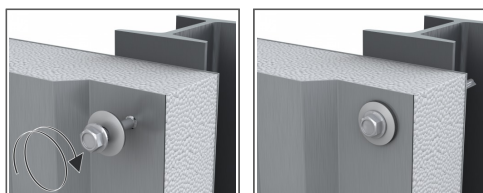
- For fixing of: Composite panels to thick wall hot rolled steel sections

#### Base materials

**Approved for use in:**

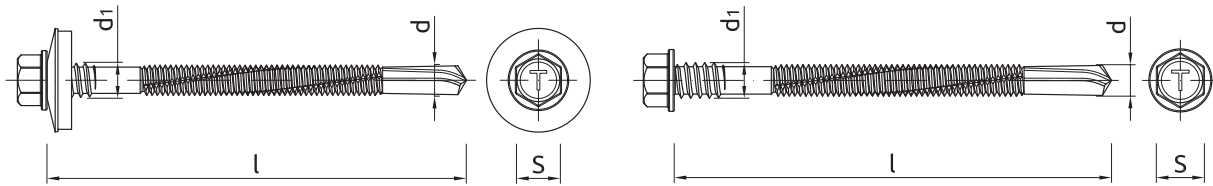
- Structural Steel

### Installation guide



1. Screw must be installed at 90 degrees to substrate.
2. Magnetic driver must be used.
3. Lowest torque setting on impact screwdriver to start.
4. Reduce speed when the washer starts to deform.
5. Use a cordless Impact screwdriver. Note: Never use a power drill.
6. For installation please use screwdriver of load capacity 1600 - 2000 rpm with regulated torque.

Product information



Size	Product Code	Screw				Fixture		Max. drilling thickness	Washer size	RAL Colour
		Diameter		Length	Head size	Max. thickness with washer	Max. thickness without washer			
		d	d <sub>1</sub>	l	S	t <sub>fix</sub>				
		[mm]								
Ø5.5/6.3	ON-55/63080	5.5	6.3	80	8	55	58	12	19	-
	ON-55/63100	5.5	6.3	100	8	75	78	12	19	-
	ON-55/63130	5.5	6.3	130	8	105	108	12	19	-
	ON-55/63150	5.5	6.3	150	8	125	128	12	19	-
	ON-55/63160	5.5	6.3	160	8	135	138	12	19	-
	ON-55/63180	5.5	6.3	180	8	155	158	12	19	-
	ON-55/63210	5.5	6.3	210	8	185	188	12	19	-
	ON-55/63235	5.5	6.3	235	8	210	213	12	19	-
	ON-55/63280	5.5	6.3	280	8	255	258	12	19	-
	ON-55/63235T16	5.5	6.3	235	8	210	213	12	19	-
	ON-55/63080A19	5.5	6.3	80	8	55	58	12	19	-
	ON-55/63100A19	5.5	6.3	100	8	55	58	12	19	-
	ON-55/63130A19	5.5	6.3	130	8	55	58	12	19	-
	ON-55/63150A19	5.5	6.3	150	8	55	58	12	19	-
	ON-55/63160A19	5.5	6.3	160	8	55	58	12	19	-
	ON-55/63180A19	5.5	6.3	180	8	55	58	12	19	-
	ON-55/63210A19	5.5	6.3	210	8	55	58	12	19	-
	ON-55/63280A19	5.5	6.3	280	8	55	58	12	19	-
	ONN-55/63075	5.5	6.3	75	8	55	58	12	19	-
	ONN-55/63080	5.5	6.3	80	8	55	58	12	19	-
	ONN-55/63090	5.5	6.3	90	8	55	58	12	19	-
	ONN-55/63095	5.5	6.3	95	8	55	58	12	19	-
	ONN-55/63125	5.5	6.3	125	8	105	108	12	19	-
	ON-55/63235A19	5.5	6.3	235	8	210	213	12	19	-
	ON-55/63080A191002	5.5	6.3	80	8	55	58	12	19	1002
	ON-55/63080A193011	5.5	6.3	80	8	55	58	12	19	3011
	ON-55/63080A197024	5.5	6.3	80	8	55	58	12	19	7024
	ON-55/63080A197035	5.5	6.3	80	8	55	58	12	19	7035
	ON-55/63080A199002	5.5	6.3	80	8	55	58	12	19	9002
	ON-55/63080A199006	5.5	6.3	80	8	55	58	12	19	9006
	ON-55/63080A199010	5.5	6.3	80	8	55	58	12	19	9010
	ON-55/63080RAL8017	5.5	6.3	80	8	55	58	12	19	8017
ON-55/63100A191002	5.5	6.3	100	8	55	58	12	19	1002	
ON-55/63100A193000	5.5	6.3	100	8	55	58	12	19	3000	
ON-55/63100A195010	5.5	6.3	100	8	55	58	12	19	5010	
ON-55/63100A196005	5.5	6.3	100	8	55	58	12	19	6005	
ON-55/63100A196029	5.5	6.3	100	8	55	58	12	19	6029	
ON-55/63100A197000	5.5	6.3	100	8	55	58	12	19	7000	

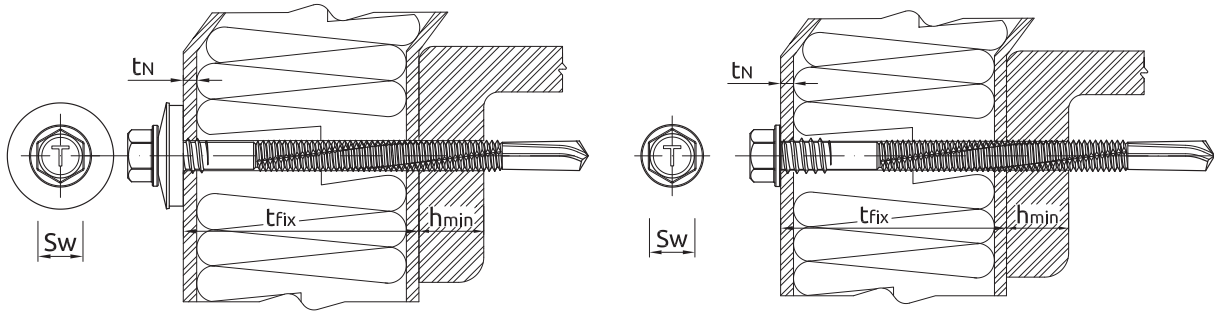
**Product information**

Size	Product Code	Screw				Fixture		Max. drilling thickness	Washer size	RAL Colour
		Diameter		Length	Head size	Max. thickness with washer	Max. thickness without washer			
		d	d <sub>1</sub>	l	S	t <sub>fix</sub>				
		[mm]								
Ø5.5/6.3	ON-55/63100A197016	5.5	6.3	100	8	55	58	12	19	7016
	ON-55/63100A197024	5.5	6.3	100	8	55	58	12	19	7024
	ON-55/63100A197035	5.5	6.3	100	8	55	58	12	19	7035
	ON-55/63100A197040	5.5	6.3	100	8	55	58	12	19	7040
	ON-55/63100A199002	5.5	6.3	100	8	55	58	12	19	9002
	ON-55/63100A199006	5.5	6.3	100	8	55	58	12	19	9006
	ON-55/63100A199007	5.5	6.3	100	8	55	58	12	19	9007
	ON-55/63100A199010	5.5	6.3	100	8	55	58	12	19	9010
	ON-55/63130A191015	5.5	6.3	130	8	55	58	12	19	1015
	ON-55/63130A193000	5.5	6.3	130	8	55	58	12	19	3000
	ON-55/63130A193011	5.5	6.3	130	8	55	58	12	19	3011
	ON-55/63130A195010	5.5	6.3	130	8	55	58	12	19	5010
	ON-55/63130A196011	5.5	6.3	130	8	55	58	12	19	6011
	ON-55/63130A196020	5.5	6.3	130	8	55	58	12	19	6020
	ON-55/63130A197016	5.5	6.3	130	8	55	58	12	19	7016
	ON-55/63130A197024	5.5	6.3	130	8	55	58	12	19	7024
	ON-55/63130A197035	5.5	6.3	130	8	55	58	12	19	7035
	ON-55/63130A199002	5.5	6.3	130	8	55	58	12	19	9002
	ON-55/63130A199006	5.5	6.3	130	8	55	58	12	19	9006
	ON-55/63130A199007	5.5	6.3	130	8	55	58	12	19	9007
	ON-55/63130A199009	5.5	6.3	130	8	55	58	12	19	9009
	ON-55/63130A199010	5.5	6.3	130	8	55	58	12	19	9010
	ON-55/63130T195010	5.5	6.3	130	8	55	58	12	19	5010
	ON-55/63150A191002	5.5	6.3	150	8	55	58	12	19	1002
	ON-55/63150A191015	5.5	6.3	150	8	55	58	12	19	1015
	ON-55/63150A193000	5.5	6.3	150	8	55	58	12	19	3000
	ON-55/63150A193009	5.5	6.3	150	8	55	58	12	19	3009
	ON-55/63150A195005	5.5	6.3	150	8	55	58	12	19	5005
	ON-55/63150A195010	5.5	6.3	150	8	55	58	12	19	5010
	ON-55/63150A195012	5.5	6.3	150	8	55	58	12	19	5012
	ON-55/63150A196011	5.5	6.3	150	8	55	58	12	19	6011
	ON-55/63150A197016	5.5	6.3	150	8	55	58	12	19	7016
	ON-55/63150A197024	5.5	6.3	150	8	55	58	12	19	7024
	ON-55/63150A197035	5.5	6.3	150	8	55	58	12	19	7035
	ON-55/63150A198016	5.5	6.3	150	8	55	58	12	19	8016
	ON-55/63150A199002	5.5	6.3	150	8	55	58	12	19	9002
	ON-55/63150A199005	5.5	6.3	150	8	55	58	12	19	9005
	ON-55/63150A199006	5.5	6.3	150	8	55	58	12	19	9006
	ON-55/63150A199007	5.5	6.3	150	8	55	58	12	19	9007
	ON-55/63150A199010	5.5	6.3	150	8	55	58	12	19	9010
ON-55/63160A196029	5.5	6.3	160	8	55	58	12	19	6029	
ON-55/63160A197016	5.5	6.3	160	8	55	58	12	19	7016	
ON-55/63160A197035	5.5	6.3	160	8	55	58	12	19	7035	
ON-55/63160A198004	5.5	6.3	160	8	55	58	12	19	8004	
ON-55/63160A198017	5.5	6.3	160	8	55	58	12	19	8017	
ON-55/63160A199002	5.5	6.3	160	8	55	58	12	19	9002	
ON-55/63160A199006	5.5	6.3	160	8	55	58	12	19	9006	
ON-55/63160A199007	5.5	6.3	160	8	55	58	12	19	9007	
ON-55/63160A199010	5.5	6.3	160	8	55	58	12	19	9010	
ON-55/63180A191002	5.5	6.3	180	8	55	58	12	19	1002	

**Product information**

Size	Product Code	Screw				Fixture		Max. drilling thickness	Washer size	RAL Colour
		Diameter		Length	Head size	Max. thickness with washer	Max. thickness without washer			
		d	d <sub>1</sub>	l	S	t <sub>fix</sub>				
		[mm]								
Ø5.5/6.3	ON-55/63180A191015	5.5	6.3	180	8	55	58	12	19	1015
	ON-55/63180A193005	5.5	6.3	180	8	55	58	12	19	3005
	ON-55/63180A195005	5.5	6.3	180	8	55	58	12	19	5005
	ON-55/63180A195010	5.5	6.3	180	8	55	58	12	19	5010
	ON-55/63180A196011	5.5	6.3	180	8	55	58	12	19	6011
	ON-55/63180A197000	5.5	6.3	180	8	55	58	12	19	7000
	ON-55/63180A197016	5.5	6.3	180	8	55	58	12	19	7016
	ON-55/63180A197024	5.5	6.3	180	8	55	58	12	19	7024
	ON-55/63180A197035	5.5	6.3	180	8	55	58	12	19	7035
	ON-55/63180A198004	5.5	6.3	180	8	55	58	12	19	8004
	ON-55/63180A198017	5.5	6.3	180	8	55	58	12	19	8017
	ON-55/63180A199002	5.5	6.3	180	8	55	58	12	19	9002
	ON-55/63180A199006	5.5	6.3	180	8	55	58	12	19	9006
	ON-55/63180A199010	5.5	6.3	180	8	55	58	12	19	9010
	ON-55/63210A191002	5.5	6.3	210	8	55	58	12	19	1002
	ON-55/63210A191015	5.5	6.3	210	8	55	58	12	19	1015
	ON-55/63210A193009	5.5	6.3	210	8	55	58	12	19	3009
	ON-55/63210A193011	5.5	6.3	210	8	55	58	12	19	3011
	ON-55/63210A195005	5.5	6.3	210	8	55	58	12	19	5005
	ON-55/63210A195010	5.5	6.3	210	8	55	58	12	19	5010
	ON-55/63210A197000	5.5	6.3	210	8	55	58	12	19	7000
	ON-55/63210A197016	5.5	6.3	210	8	55	58	12	19	7016
	ON-55/63210A197024	5.5	6.3	210	8	55	58	12	19	7024
	ON-55/63210A197035	5.5	6.3	210	8	55	58	12	19	7035
	ON-55/63210A199002	5.5	6.3	210	8	55	58	12	19	9002
	ON-55/63210A199006	5.5	6.3	210	8	55	58	12	19	9006
	ON-55/63210A199007	5.5	6.3	210	8	55	58	12	19	9007
	ON-55/63210A199010	5.5	6.3	210	8	55	58	12	19	9010
	ON-55/63235A195005	5.5	6.3	235	8	210	213	12	19	5005
	ON-55/63235A195010	5.5	6.3	235	8	210	213	12	19	5010
	ON-55/63235A197016	5.5	6.3	235	8	210	213	12	19	7016
	ON-55/63235A197035	5.5	6.3	235	8	210	213	12	19	7035
	ON-55/63235A198017	5.5	6.3	235	8	210	213	12	19	8017
	ON-55/63235A199002	5.5	6.3	235	8	210	213	12	19	9002
	ON-55/63235A199006	5.5	6.3	235	8	210	213	12	19	9006
	ON-55/63235A199007	5.5	6.3	235	8	210	213	12	19	9007
	ON-55/63235A199010	5.5	6.3	235	8	210	213	12	19	9010
	ON-55/63235T191015	5.5	6.3	235	8	210	213	12	19	1015
	ON-55/63280A197016	5.5	6.3	280	8	210	213	12	19	7016
	ON-55/63280A199010	5.5	6.3	280	8	210	213	12	19	9010

## Installation data



Size			Ø5.5/6.3
Hole diameter in substrate	$d_0$	[mm]	-
Min. hole depth in substrate	$h_0$	[mm]	-
Min. installation depth	$h_{nom}$	[mm]	-
Min. substrate thickness	$h_{min}$	[mm]	3
Min. spacing	$s_{min}$	[mm]	30
Min. edge distance	$c_{min}$	[mm]	10
Wrench size	Sw	[mm]	8
Screw diameter	d	[mm]	5.5/6.3

## Basic performance data

Performance data for single screw without influence of edge distance and spacing

Size	TENSION LOAD		SHEAR LOAD	
	Ø5.5/6.3 (T16)		Ø5.5/6.3	
<b>MEAN ULTIMATE LOAD</b>				
Substrate thickness 3,00mm	[kN]	3.82	1.93	
Substrate thickness 5,00mm	[kN]	3.82	-	
<b>CHARACTERISTIC LOAD</b>				
Substrate thickness 3,00mm	[kN]	2.91	1.73	
Substrate thickness 5,00mm	[kN]	2.91	-	
<b>DESIGN LOAD</b>				
Substrate thickness 3,00mm	[kN]	2.19	1.30	
Substrate thickness 5,00mm	[kN]	2.19	-	
<b>RECOMMENDED LOAD</b>				
Substrate thickness 3,00mm	[kN]	1.56	0.93	
Substrate thickness 5,00mm	[kN]	1.56	-	

## Design performance data

DESIGN PERFORMANCE DATA Ø5.5/6.3

TENSION LOAD

Size			Ø5.5/6.3	
Substrate thickness	$h_{min}$	[mm]	3.00	5.00
Characteristic load	$N_{Rk}$	[kN]	6.07	10.20
Design resistance $\gamma_{Ms} = 1.33$	$N_{Rd}$	[kN]	4.56	7.70

TENSION LOAD TO PULL SCREW WITH WASHER 16/19 THROUGH FIXTURE

Size			Ø5.5/6.3			
Sheet metal thickness	$t_N$	[mm]	0.40	0.50	0.63	0.75
Characteristic resistance	$N_{o,Rk}$	[kN]	1.65	2.91	3.87	4.55
Design resistance $\gamma_{Ms} = 1.33$	$N_{o,Rd}$	[kN]	1.24	2.19	2.91	3.42

SHEAR LOAD

Size			Ø5.5/6.3		
Sheet metal thickness	$t_N$	[mm]	0.40	0.50	0.60
<b>SUBSTRATE THICKNESS 1.50 mm</b>					
Characteristic resistance	$V_{Rk}$	[kN]	1.07	1.73	1.96
Design resistance $\gamma_{Mc} = 1.33$	$V_{Rd}$	[kN]	0.80	1.30	1.47

## Product commercial data

Product Code	Screw	Washer size [mm]	RAL Colour	Quantity [pcs]			Weight [kg]			Bar Codes
	Diameter [mm]			Box	Outer	Pallet	Box	Outer	Pallet	
ON-55/63080 <sup>1)</sup>	6.3	19		100	800	19200	1.64	13.1	344.9	5906675332123
ON-55/63100 <sup>1)</sup>	6.3	19		100	800	19200	1.92	15.4	398.6	5906675332222
ON-55/63130 <sup>1)</sup>	6.3	19		100	800	19200	2.4	18.8	481.2	5906675332420
ON-55/63150 <sup>1)</sup>	6.3	19		100	800	19200	2.6	20.8	529.2	5906675332529
ON-55/63160 <sup>1)</sup>	6.3	19		100	800	19200	2.6	20.8	529.2	5906675100333
ON-55/63180 <sup>1)</sup>	6.3	19		100	800	19200	3.1	24.4	615.6	5906675332628
ON-55/63210 <sup>1)</sup>	6.3	19		100	800	19200	3.2	25.6	644.4	5906675100340
ON-55/63235 <sup>1)</sup>	6.3	19		100	800	19200	3.5	27.6	692.4	5906675332826
ON-55/63280 <sup>1)</sup>	6.3	19		100	100	11200	3.2	3.2	388.4	5906675100357
ON-55/63235T16 <sup>1)</sup>	6.3	19		100	800	19200	3.5	28.2	705.8	5906675222936
ON-55/63080A19 <sup>1)</sup>	6.3	19		100	800	19200	1.64	13.1	344.9	5906675156545
ON-55/63100A19 <sup>1)</sup>	6.3	19		100	800	19200	1.92	15.4	398.6	5906675158761
ON-55/63130A19 <sup>1)</sup>	6.3	19		100	800	19200	2.4	18.8	481.2	5906675224602
ON-55/63150A19 <sup>1)</sup>	6.3	19		100	800	19200	2.6	20.8	529.2	5906675160146
ON-55/63160A19 <sup>1)</sup>	6.3	19		100	800	19200	2.6	20.8	529.2	5906675160344
ON-55/63180A19 <sup>1)</sup>	6.3	19		100	800	19200	3.1	24.4	615.6	5906675147222
ON-55/63210A19 <sup>1)</sup>	6.3	19		100	800	19200	3.2	25.6	644.4	5906675160368
ON-55/63280A19 <sup>1)</sup>	6.3	19		100	100	11200	3.2	3.2	388.4	5906675160405
ONN-55/63075 <sup>1)</sup>	6.3	19								5906675117935
ONN-55/63080 <sup>1)</sup>	6.3	19								5906675117942
ONN-55/63090 <sup>1)</sup>	6.3	19								5906675117959
ONN-55/63095 <sup>1)</sup>	6.3	19								5906675117966
ONN-55/63125 <sup>1)</sup>	6.3	19								5906675117980
ON-55/63235A19 <sup>1)</sup>	6.3	19		100	800	19200	3.5	28.2	705.8	5906675222943
ON-55/63080A191002 <sup>1)</sup>	6.3	19	1002	100	800	19200	1.64	13.1	344.9	2045608710027
ON-55/63080A193011 <sup>1)</sup>	6.3	19	3011	100	800	19200	1.64	13.1	344.9	5906675493206
ON-55/63080A197024 <sup>1)</sup>	6.3	19	7024	100	800	19200	1.64	13.1	344.9	5906675471990
ON-55/63080A197035 <sup>1)</sup>	6.3	19	7035	100	800	19200	1.64	13.1	344.9	5906675483115

Product commercial data

Product Code	Screw	Washer size [mm]	RAL Colour	Quantity [pcs]			Weight [kg]			Bar Codes
	Diameter [mm]			Box	Outer	Pallet	Box	Outer	Pallet	
ON-55/63080A199002 <sub>1)</sub>	6.3	19	9002	100	800	19200	1.64	13.1	344.9	2045608790029
ON-55/63080A199006 <sub>1)</sub>	6.3	19	9006	100	800	19200	1.64	13.1	344.9	5906675510149
ON-55/63080A199010 <sub>1)</sub>	6.3	19	9010	100	800	19200	1.64	13.1	344.9	5906675483597
ON-55/63080RAL8017 <sub>1)</sub>	6.3	19	8017	100	800	19200	1.64	13.1	344.9	5906675062464
ON-55/63100A191002 <sub>1)</sub>	6.3	19	1002	100	800	19200	1.92	15.4	398.6	5906675511740
ON-55/63100A193000 <sub>1)</sub>	6.3	19	3000	100	800	19200	1.92	15.4	398.6	5906675456256
ON-55/63100A195010 <sub>1)</sub>	6.3	19	5010	100	800	19200	1.92	15.4	398.6	5906675463803
ON-55/63100A196005 <sub>1)</sub>	6.3	19	6005	100	800	19200	1.92	15.4	398.6	5906675464633
ON-55/63100A196029 <sub>1)</sub>	6.3	19	6029	100	800	19200	1.92	15.4	398.6	5906675492490
ON-55/63100A197000 <sub>1)</sub>	6.3	19	7000	100	800	19200	1.92	15.4	398.6	
ON-55/63100A197016 <sub>1)</sub>	6.3	19	7016	100	800	19200	1.92	15.4	398.6	5906675454887
ON-55/63100A197024 <sub>1)</sub>	6.3	19	7024	100	800	19200	1.92	15.4	398.6	5906675463865
ON-55/63100A197035 <sub>1)</sub>	6.3	19	7035	100	800	19200	1.92	15.4	398.6	5906675463872
ON-55/63100A197040 <sub>1)</sub>	6.3	19	7040	100	800	19200	1.92	15.4	398.6	5906675494401
ON-55/63100A199002 <sub>1)</sub>	6.3	19	9002	100	800	19200	1.92	15.4	398.6	2045610790024
ON-55/63100A199006 <sub>1)</sub>	6.3	19	9006	100	800	19200	1.92	15.4	398.6	2045610790062
ON-55/63100A199007 <sub>1)</sub>	6.3	19	9007	100	800	19200	1.92	15.4	398.6	5906675456478
ON-55/63100A199010 <sub>1)</sub>	6.3	19	9010	100	800	19200	1.92	15.4	398.6	5906675074436
ON-55/63130A191015 <sub>1)</sub>	6.3	19	1015	100	800	19200	2.4	18.8	481.2	2045613710159
ON-55/63130A193000 <sub>1)</sub>	6.3	19	3000	100	800	19200	2.2	17.7	453.6	5906675260723
ON-55/63130A193011 <sub>1)</sub>	6.3	19	3011	100	800	19200	2.2	17.7	453.6	5906675505183
ON-55/63130A195010 <sub>1)</sub>	6.3	19	5010	100	800	19200	2.2	17.7	453.6	5906675252698
ON-55/63130A196011 <sub>1)</sub>	6.3	19	6011	100	800	19200	2.4	18.8	481.2	2045613760116
ON-55/63130A196020 <sub>1)</sub>	6.3	19	6020	100	800	19200	2.2	17.7	453.6	5906675260730
ON-55/63130A197016 <sub>1)</sub>	6.3	19	7016	100	800	19200	2.4	18.8	481.2	5906675454863
ON-55/63130A197024 <sub>1)</sub>	6.3	19	7024	100	800	19200	2.2	17.7	453.6	5906675459929
ON-55/63130A197035 <sub>1)</sub>	6.3	19	7035	100	800	19200	2.4	18.8	481.2	5906675086002
ON-55/63130A199002 <sub>1)</sub>	6.3	19	9002	100	800	19200	2.4	18.8	481.2	2046313090022
ON-55/63130A199006 <sub>1)</sub>	6.3	19	9006	100	800	19200	2.4	18.8	481.2	2045613790069
ON-55/63130A199007 <sub>1)</sub>	6.3	19	9007	100	800	19200	2.2	17.7	453.6	5906675459936
ON-55/63130A199009 <sub>1)</sub>	6.3	19	9009	100	800	19200	2.4	18.8	481.2	2045613790090
ON-55/63130A199010 <sub>1)</sub>	6.3	19	9010	100	800	19200	2.4	18.8	481.2	2045613790106
ON-55/63130T195010 <sub>1)</sub>	6.3	19	5010	100	800	19200	2.1	16.8	433.8	5906675260709
ON-55/63150A191002 <sub>1)</sub>	6.3	19	1002	100	800	19200	2.6	20.8	529.2	2045615710027
ON-55/63150A191015 <sub>1)</sub>	6.3	19	1015	100	800	19200	2.6	20.8	529.2	5906675073644

Product commercial data

Product Code	Screw	Washer size [mm]	RAL Colour	Quantity [pcs]			Weight [kg]			Bar Codes
	Diameter [mm]			Box	Outer	Pallet	Box	Outer	Pallet	
ON-55/63150A193000 <sub>1)</sub>	6.3	19	3000	100	800	19200	2.6	20.8	529.2	5906675415291
ON-55/63150A193009 <sub>1)</sub>	6.3	19	3009	100	800	19200	2.6	20.8	529.2	5906675455853
ON-55/63150A195005 <sub>1)</sub>	6.3	19	5005	100	800	19200	2.6	20.8	529.2	2045615750054
ON-55/63150A195010 <sub>1)</sub>	6.3	19	5010	100	800	19200	2.6	20.8	529.2	2045615750108
ON-55/63150A195012 <sub>1)</sub>	6.3	19	5012	100	800	19200	2.6	20.8	529.2	5906675062457
ON-55/63150A196011 <sub>1)</sub>	6.3	19	6011	100	800	19200	2.6	20.8	529.2	2045615760114
ON-55/63150A197016 <sub>1)</sub>	6.3	19	7016	100	800	19200	2.6	20.8	529.2	5906675463827
ON-55/63150A197024 <sub>1)</sub>	6.3	19	7024	100	800	19200	2.6	20.8	529.2	5906675457284
ON-55/63150A197035 <sub>1)</sub>	6.3	19	7035	100	800	19200	2.6	20.8	529.2	5906675280868
ON-55/63150A198016 <sub>1)</sub>	6.3	19	8016	100	800	19200	2.6	20.8	529.2	5906675464251
ON-55/63150A199002 <sub>1)</sub>	6.3	19	9002	100	800	19200	2.6	20.8	529.2	2045615790029
ON-55/63150A199005 <sub>1)</sub>	6.3	19	9005	100	800	19200	2.6	20.8	529.2	5906675471624
ON-55/63150A199006 <sub>1)</sub>	6.3	19	9006	100	800	19200	2.6	20.8	529.2	2045615790067
ON-55/63150A199007 <sub>1)</sub>	6.3	19	9007	100	800	19200	2.6	20.8	529.2	5906675464398
ON-55/63150A199010 <sub>1)</sub>	6.3	19	9010	100	800	19200	2.6	20.8	529.2	2045615790104
ON-55/63160A196029 <sub>1)</sub>	6.3	19	6029	100	800	19200	2.6	20.8	529.2	5906675310015
ON-55/63160A197016 <sub>1)</sub>	6.3	19	7016	100	800	19200	2.6	20.8	529.2	5906675460895
ON-55/63160A197035 <sub>1)</sub>	6.3	19	7035	100	800	19200	2.6	20.8	529.2	2045616770358
ON-55/63160A198004 <sub>1)</sub>	6.3	19	8004	100	800	19200	2.6	20.8	529.2	5906675471983
ON-55/63160A198017 <sub>1)</sub>	6.3	19	8017	100	800	19200	2.6	20.8	529.2	5906675464640
ON-55/63160A199002 <sub>1)</sub>	6.3	19	9002	100	800	19200	2.6	20.8	529.2	5906675329093
ON-55/63160A199006 <sub>1)</sub>	6.3	19	9006	100	800	19200	2.6	20.8	529.2	5906675329109
ON-55/63160A199007 <sub>1)</sub>	6.3	19	9007	100	800	19200	2.6	20.8	529.2	5906675078649
ON-55/63160A199010 <sub>1)</sub>	6.3	19	9010	100	800	19200	2.6	20.8	529.2	2045616790103
ON-55/63180A191002 <sub>1)</sub>	6.3	19	1002	100	800	19200	3.1	24.4	615.6	2045618710024
ON-55/63180A191015 <sub>1)</sub>	6.3	19	1015	100	800	19200	3.1	24.4	615.6	2045618710154
ON-55/63180A193005 <sub>1)</sub>	6.3	19	3005	100	800	19200	3.1	24.4	615.6	5906675470047
ON-55/63180A195005 <sub>1)</sub>	6.3	19	5005	100	800	19200	3.1	24.4	615.6	5906675088860
ON-55/63180A195010 <sub>1)</sub>	6.3	19	5010	100	800	19200	3.1	24.4	615.6	2045618750105
ON-55/63180A196011 <sub>1)</sub>	6.3	19	6011	100	800	19200	3.1	24.4	615.6	2045618760111
ON-55/63180A197000 <sub>1)</sub>	6.3	19	7000	100	800	19200	3.1	24.4	615.6	5906675470320
ON-55/63180A197016 <sub>1)</sub>	6.3	19	7016	100	800	19200	2.5	20.1	512.1	5906675248684
ON-55/63180A197024 <sub>1)</sub>	6.3	19	7024	100	800	19200	3.1	24.4	615.6	5906675464596
ON-55/63180A197035 <sub>1)</sub>	6.3	19	7035	100	800	19200	3.1	24.4	615.6	5906675457307
ON-55/63180A198004 <sub>1)</sub>	6.3	19	8004	100	800	19200	3.1	24.4	615.6	5906675460628



**Product commercial data**

Product Code	Screw	Washer size [mm]	RAL Colour	Quantity [pcs]			Weight [kg]			Bar Codes
	Diameter [mm]			Box	Outer	Pallet	Box	Outer	Pallet	
ON-55/63180A198017 <sub>1)</sub>	6.3	19	8017	100	800	19200	3.1	24.4	615.6	5906675152332
ON-55/63180A199002 <sub>1)</sub>	6.3	19	9002	100	800	19200	3.1	24.4	615.6	2045618790026
ON-55/63180A199006 <sub>1)</sub>	6.3	19	9006	100	800	19200	3.1	24.4	615.6	2045618790064
ON-55/63180A199010 <sub>1)</sub>	6.3	19	9010	100	800	19200	3.1	24.4	615.6	2045618790101
ON-55/63210A191002 <sub>1)</sub>	6.3	19	1002	100	800	19200	3.2	25.6	644.4	2045621710028
ON-55/63210A191015 <sub>1)</sub>	6.3	19	1015	100	800	19200	3.2	25.6	644.4	5906675072173
ON-55/63210A193009 <sub>1)</sub>	6.3	19	3009	100	800	19200	3.2	25.6	644.4	5906675406756
ON-55/63210A193011 <sub>1)</sub>	6.3	19	3011	100	800	19200	3.2	25.6	644.4	5906675084787
ON-55/63210A195005 <sub>1)</sub>	6.3	19	5005	100	800	19200	3.2	25.6	644.4	2045621750055
ON-55/63210A195010 <sub>1)</sub>	6.3	19	5010	100	800	19200	3.2	25.6	644.4	2045621750109
ON-55/63210A197000 <sub>1)</sub>	6.3	19	7000	100	800	19200	3.1	24.4	615.6	5906675008080
ON-55/63210A197016 <sub>1)</sub>	6.3	19	7016	100	800	19200	3.2	25.6	644.4	5906675470283
ON-55/63210A197024 <sub>1)</sub>	6.3	19	7024	100	800	19200	3.2	25.6	644.4	5906675067773
ON-55/63210A197035 <sub>1)</sub>	6.3	19	7035	100	800	19200	3.2	25.6	644.4	5906675447940
ON-55/63210A199002 <sub>1)</sub>	6.3	19	9002	100	800	19200	3.2	25.6	644.4	5906675286150
ON-55/63210A199006 <sub>1)</sub>	6.3	19	9006	100	800	19200	3.2	25.6	644.4	2045621790068
ON-55/63210A199007 <sub>1)</sub>	6.3	19	9007	100	800	19200	3.2	25.6	644.4	5906675455860
ON-55/63210A199010 <sub>1)</sub>	6.3	19	9010	100	800	19200	3.2	25.6	644.4	2045621790105
ON-55/63235A195005 <sub>1)</sub>	6.3	19	5005	100	800	19200	3.5	28.2	705.8	2045623750053
ON-55/63235A195010 <sub>1)</sub>	6.3	19	5010	100	800	19200	3.7	29.5	737.6	2045623750107
ON-55/63235A197016 <sub>1)</sub>	6.3	19	7016	100	800	19200	3.7	29.5	737.6	5906675513041
ON-55/63235A197035 <sub>1)</sub>	6.3	19	7035	100	800	19200	3.7	29.5	737.6	2045623770358
ON-55/63235A198017 <sub>1)</sub>	6.3	19	8017	100	800	19200	3.7	29.5	737.6	2045623780173
ON-55/63235A199002 <sub>1)</sub>	6.3	19	9002	100	800	19200	3.7	29.5	737.6	2045623790028
ON-55/63235A199006 <sub>1)</sub>	6.3	19	9006	100	800	19200	3.7	29.5	737.6	2045623790066
ON-55/63235A199007 <sub>1)</sub>	6.3	19	9007	100	800	19200	3.7	29.5	737.6	5906675451084
ON-55/63235A199010 <sub>1)</sub>	6.3	19	9010	100	800	19200	3.7	29.5	737.6	2045623790103
ON-55/63235T191015 <sub>1)</sub>	6.3	19	1015	100	800	19200	3.7	29.5	737.5	5906675322308
ON-55/63280A197016 <sub>1)</sub>	6.3	19	7016	100	100	11200	3.2	3.2	388.4	5906675293806
ON-55/63280A199010 <sub>1)</sub>	6.3	19	9010	100	100	11200	3.2	3.2	388.4	5906675291154

1) ETA-13/0453